

Lavavajillas de arrastre compactos
Lave-vaisselle d' avancement compacts
Rack compact conveyor dishwasher
Compact korbtransport geschirrspüler
Lavastoviglie a trascinamento compatte
Lava-louças de arratre compacto

Modelos:

FI-160

FI-200

FI-200 H

FI-200 W

ECO-160

ECO-200

ECO-200 H



PLATON SERVICE

8 (800) 500-34-41

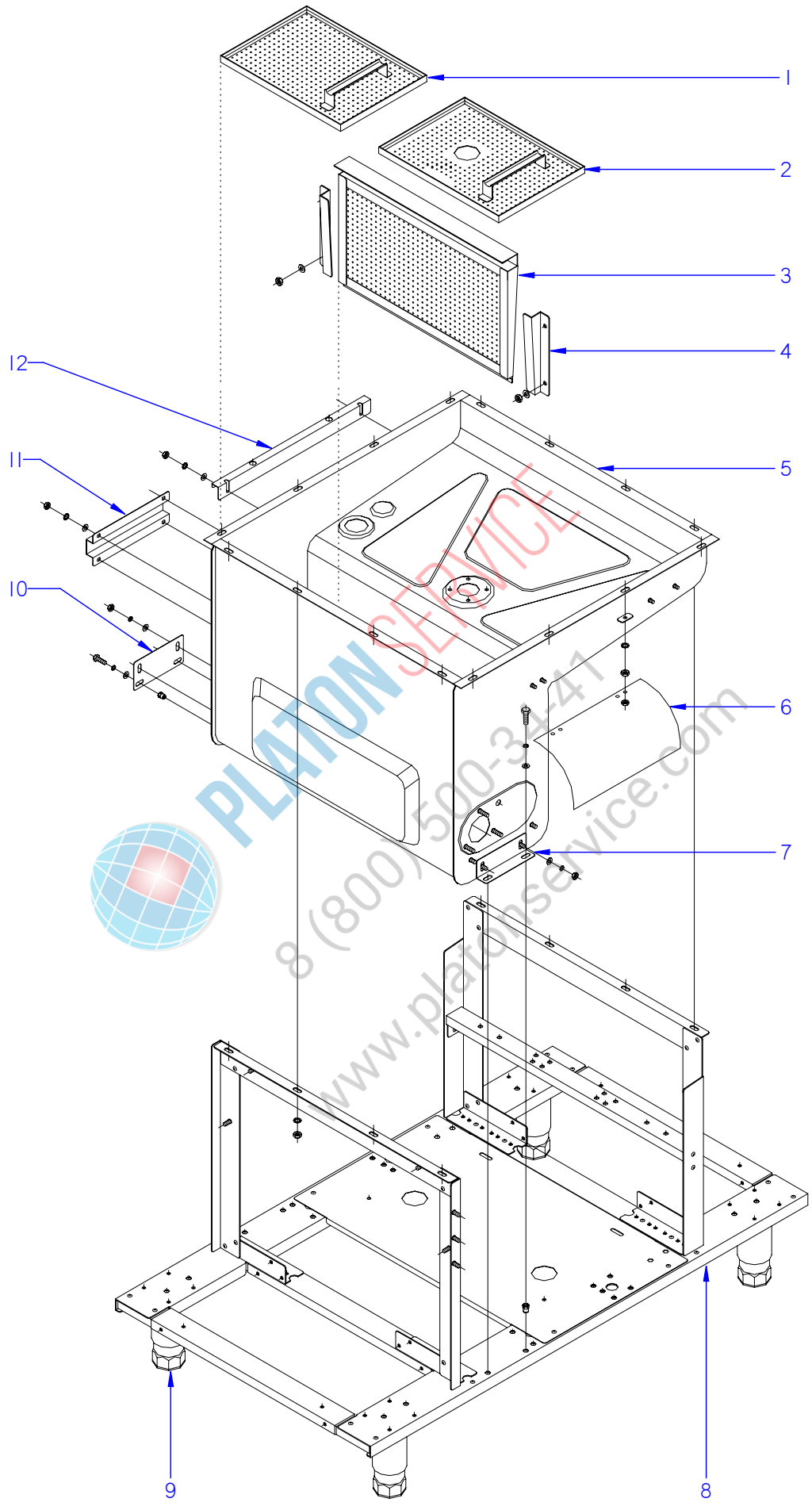
www.platonservice.com

Octubre 2008 October

Revisado Enero 2014 January Revised



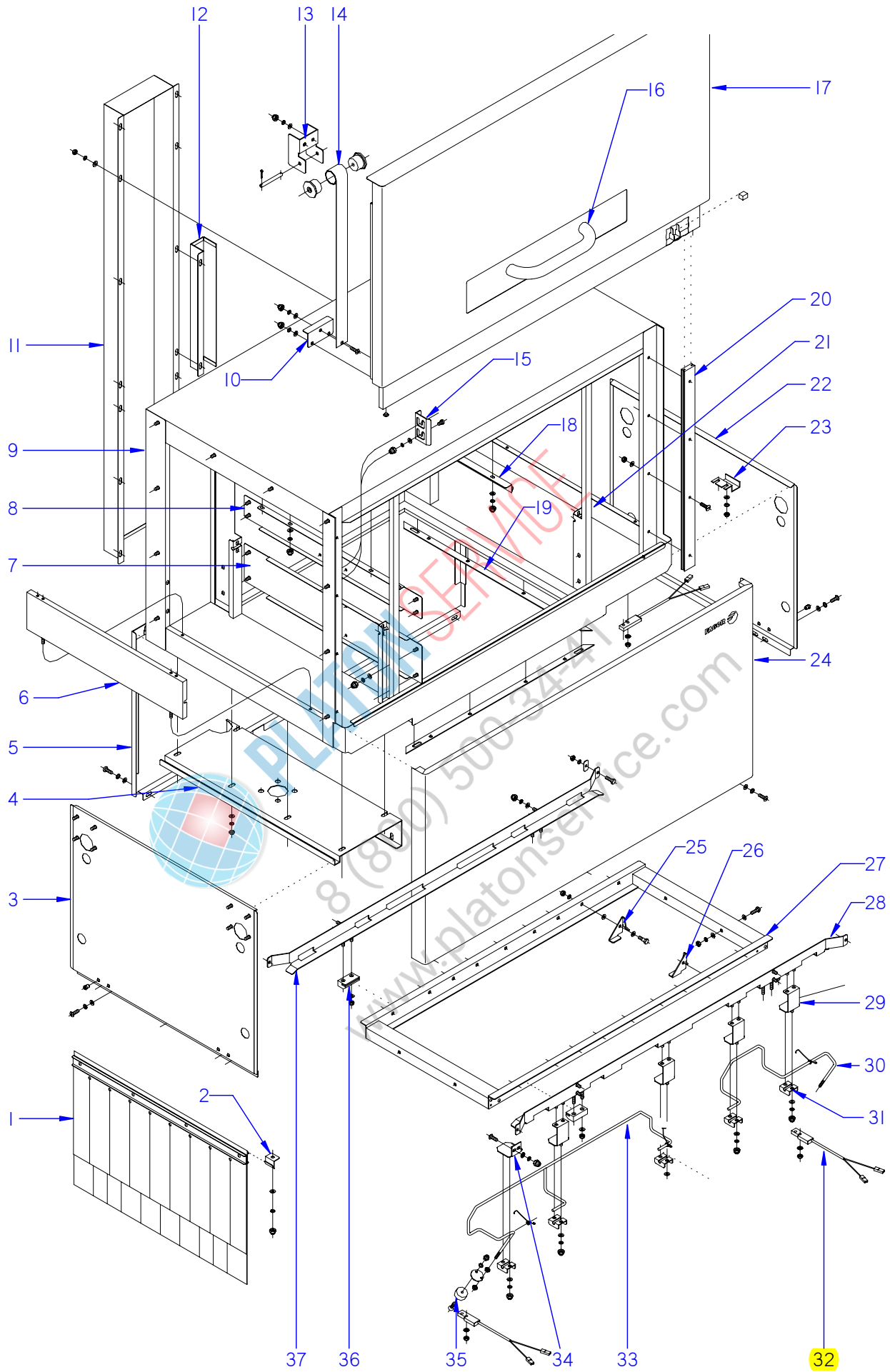
F A G O R I N D U S T R I A L



ITEM MARCADO EN COLOR = REPUESTO RECOMENDADO
 COLOURED ITEM = RECOMMENDED SPARE PART

N plano	Firma	Fecha	Aparato	ARMAZON Y CUBA	Lamina	Fagor Industrial S.Coop. FAGOR
C-2120	<i>(Signature)</i>	2008-10	LAVAVAJILLAS COMPACTOS	1	Oñate	

MOD.		LAVAVAJILLAS COMPACTOS COMPACT DISHWASHERS		ZONA	ARMAZON Y CUBA / TUB AND FRAME			PLANO	C-2120	
ITEM	CODIGO	DENOMINACION	TEXTO	FI-160 ECO-160	FI-200 ECO-200	FI-200 W				NOTAS
1	Z270803000	BANDEJA POSTERIOR COMPLETA	COMPLETE REAR TRAY	1	1	1				
2	Z270801000	BANDEJA ANTERIOR COMPLETA	COMPLETE FRONT TRAY	1	1	1				
3	Z710907000	FILTRO COMPLETO	COMPLETE FILTER	1	1	1				ELIMINADO 18.02.2013
3	12048626	FILTRO	FILTER	1	1	1				INTRODUCIDO 18.02.2013
4	Z710309000	GUIA FILTRO ANTERIOR	FRONT FILTER GUIDE	1	1	1				
S/Nº	Z710310000	GUIA FILTRO POSTERIOR	REAR FILTER GUIDE	1	1	1				
	Q262040000	ARANDELA GROW. A6 A.304	WASHER GROW. A6 A.304	12	12	12				
	Q162040000	TUERCA EXAGONAL M6	HEXAGONAL NUT M6	12	12	12				
	Q012042000	TORNILLO EXAGONAL M6X15	HEXAGONAL BOLT M6x15	4	4	4				
5	Z270320000	CUBA SOLDADA	WELDED TUB	1	1	1				
	Z310341000	ARANDELA RECTANGULAR	RECTANGULAR WASHER	16	16	16				
	Q262040000	ARANDELA GROW. A6 A.304	WASHER GROW. A6 A.304	16	16	16				
	Q162040000	TUERCA EXAGONAL M6	HEXAGONAL NUT M6	16	16	16				
6	Z313041000	CUBIERTA COMPONENTES	COMPONENT COVER	2	2	2				
7	Z270324000	AMARRE CUBA ANTERIOR	FRONT TUB FASTENING	1	1	1				
8	Z270101000	ARMAZON MONTADO	FRAME MOUNTED	1	1	1				
8	Z270123000	ARMAZON W MONTADO	FRAME W MOUNTED	—	—	1				
	Q232040000	ARANDELA A6	WASHER A6	4	4	4				
	Q262030000	ARANDELA GROW. A5 A.304	WASHER GROW. A5 A.304	4	4	4				
	Q212031000	TUERCA SOMBRERETE M5	COWL NUT M5	4	4	4				
	Q232040000	ARANDELA A6	WASHER A6	8	8	8				
9	X260151000	PATA REGULABLE	ADJUSTABLE LEG	4	4	4				
10	Z270325000	AMARRE CUBA POSTERIOR	REAR TUB FASTENING	1	1	1				
11	Z281111000	PROTECTOR MANGUERA ECO	ECO HOSE PROTECTOR	1	1	1				SOLO MODELOS DERECHA
12	Z272907000	SOPORTE PANEL	PANEL SUPPORT	1	1	1				
	Q152004000	TORNILLO APLASTADO M5x13 A304	FLAT HEADED BOLT M5x13 A304	10	10	10				
	Q262030000	ARANDELA GROW. A5 A.304	WASHER GROW. A5 A.304	10	10	10				
	Q232040000	ARANDELA A6	WASHER A6	12	12	12				
	Q162040000	TUERCA EXAGONAL M6	HEXAGONAL NUT M6	2	2	2				
	Q262040000	ARANDELA GROW. A6 A.304	WASHER GROW. A6 A.304	2	2	2				



ITEM MARCADO EN COLOR = REPUESTO RECOMENDADO
 COLOURED ITEM = RECOMMENDED SPARE PART

N plano	Firma	Fecha	Aparato	TUNEL DE LAVADO Y ACLARADO	Lamina	Fagor Industrial S.Coop. FAGOR
C-2121	<i>[Signature]</i>	2008-10	LAVAVAJILLAS COMPACTOS		2	Oñate

MOD.		LAVAVAJILLAS COMPACTOS COMPACT DISHWASHERS		ZONA		TUNEL DE LAVADO Y ACLARADO WASH AND RINSE TUNNEL				PLANO		C-2121	
ITEM	CODIGO	DENOMINACION	TEXTO	FI-160 I ECO-160 I	FI-160 D ECO-160 D	FI-200 I ECO-200 I	FI-200 D ECO-200 D	FI-200 W L	FI-200 W R			NOTAS	
1	Z276429000	CORTINA INTERIOR COMPLETA	COMPLETE INTERIOR CURTAIN	2	2	2	2	2	2				
	Z276419000	CORTINA EXTERIOR COMPLETA	COMPLETE EXTERIOR CURTAIN	2	2	2	2	2	2				
2	Z270326000	SUJECION CORTINA	CURTAIN FASTENING	4	4	4	4	4	4				
	Q232040000	ARANDELA A6	WASHER A6	4	4	4	4	4	4				
	Q262030000	ARANDELA GROW. A5 A.304	WASHER GROW. A5 A.304	4	4	4	4	4	4				
	Q212031000	TUERCA SOMBRETERE M5	COWL NUT M5	4	4	4	4	4	4				
3	Z272936000	PANEL LATERAL	SIDE PANEL	1	1	1	1	1	1				
4	Z270341000	REFUERZO SOPORTE COMPL.	COMPL. SUPPORT REINFORCEM	1	1	1	1	1	1				
	Q232040000	ARANDELA A6	WASHER A6	8	8	8	8	8	8				
	Q262040000	ARANDELA GROW. A6 A.304	WASHER GROW. A6 A.304	8	8	8	8	8	8				
	Q162040000	TUERCA EXAGONAL M6	HEXAGONAL NUT M6	8	8	8	8	8	8				
5	Z272935000	PANEL POSTERIOR COMPLETO	COMPLETE REAR PANEL	1	1	1	1	1	1			ELIMINADO 28.01.10	
5	Z272938000	PANEL POSTERIOR COMPLETO	COMPLETE REAR PANEL	1	1	1	1	1	1			INTRODUCIDO 28.01.10	
6	Z270337000	SUPLEMENTO COMPLETO	COMPLETE SUPPLEMENT	1	1	1	1	-	-				
6	Z270343000	SUPLEMENTO COMPLETO W	COMPLETE SUPPLEMENT W	-	-	-	-	2	2				
	Q232040000	ARANDELA A6	WASHER A6	4	4	4	4	8	8				
	Q212031000	TUERCA SOMBRETERE M5	COWL NUT M5	4	4	4	4	8	8				
	Q152004000	TORNILLO APLASTADO M5x13 A304	FLAT HEADED BOLT M5x13 A304	2	2	2	2	4	4				
	Q262030000	ARANDELA GROW. A5 A.304	WASHER GROW. A5 A.304	4	4	4	4	8	8				
7	Z270330000	INFERIOR PORTICO COMPLETO	COMPLETE LOWER GANTRY	2	2	2	2	2	2				
	Q232040000	ARANDELA A6	WASHER A6	4	4	4	4	4	4				
	Q212031000	TUERCA SOMBRETERE M5	COWL NUT M5	4	4	4	4	4	4				
	Q262030000	ARANDELA GROW. A5 A.304	WASHER GROW. A5 A.304	4	4	4	4	4	4				
8	Z270332000	SUPERIOR PORTICO COMPLETO	COMPLETE UPPER GANTRY	2	2	2	2	2	2				
	Q232040000	ARANDELA A6	WASHER A6	9	9	9	9	9	9				
	Q212031000	TUERCA SOMBRETERE M5	COWL NUT M5	9	9	9	9	9	9				
	Q262030000	ARANDELA GROW. A5 A.304	WASHER GROW. A5 A.304	9	9	9	9	9	9				
9	Z270351000	CAJA SOLDADA	WELDED BOX	1	1	1	1	1	1				

MOD.		LAVAVAJILLAS COMPACTOS COMPACT DISHWASHERS		ZONA	TUNEL DE LAVADO Y ACLARADO WASH AND RINSE TUNNEL				PLANO	C-2121	
ITEM	CODIGO	DENOMINACION	TEXTO	FI-160 I ECO-160 I	FI-160 D ECO-160 D	FI-200 I ECO-200 I	FI-200 D ECO-200 D	FI-200 W L	FI-200 W R	NOTAS	
10	Z270515000	AMARRE RESORTE	SPRING FASTENING	2	2	2	2	2	2	ELIMINADO 06.02.09	
10	Z270517000	AMARRE RESORTE	SPRING FASTENING	2	2	2	2	2	2	INTRODUCIDO 06.02.09	
	Q152004000	TORNILLO APLASTADO M5x13 A304	FLAT HEADED BOLT M5x13 A304	2	2	2	2	2	2		
	Q262030000	ARANDELA GROW. A5 A.304	WASHER GROW. A5 A.304	6	6	6	6	6	6		
	Q232040000	ARANDELA A6	WASHER A6	6	6	6	6	6	6		
	Q212031000	TUERCA SOMBRETERE M5	COWL NUT M5	6	6	6	6	6	6		
11	Z313049000	CUBIERTA POST.CUADRO ELECT.	ELECT. PANEL REAR COVER	1	1	1	1	1	1		
	Q232040000	ARANDELA A6	WASHER A6	34	34	34	34	34	34		
	Q162040000	TUERCA EXAGONAL M6	HEXAGONAL NUT M6	16	16	16	16	16	16		
	Q212040000	TUERCA SOMBRETERE M6	COWL NUT M6	14	14	14	14	14	14		
12	Z273046000	GUIA TOMA CORRIENTE	POWER SOCKET GUIDE					1	1		
13	Z270511000	SOPORTE RESORTE	SPRING SUPPORT	2	2	2	2	2	2		
	Z270514000	EJE RESORTE	SPRING SHAFT	2	2	2	2	2	2		
	Q352001000	PASADOR DE ALETAS 2X20	COTTER PIN 2X20	4	4	4	4	4	4		
	Q232040000	ARANDELA A6	WASHER A6	4	4	4	4	4	4		
	Q262030000	ARANDELA GROW. A5 A.304	WASHER GROW. A5 A.304	4	4	4	4	4	4		
	Q212031000	TUERCA SOMBRETERE M5	COWL NUT M5	4	4	4	4	4	4		
14	Z270513000	RESORTE FUERZA CONSTANTE	CONSTANT FORCE SPRING	2	2	2	2	2	2		
	Z270512000	ENCAJE RESORTE	SPRING SOCKET	4	4	4	4	4	4		
15	Z270531000	SUJECION PUERTA	DOOR FASTENING	1	1	1	1	1	1	ELIMINADO 10.02.09	
S/Nº	Z510556000	SOPORTE ENGANCHE PUERTA	SUPPORT DOOR LATCH	1	1	1	1	1	1	INTRODUCIDO 10.02.09	
S/Nº	Z510550000	ENGANCHE PUERTA COMPLETO	FULL DOOR HOOK	1	1	1	1	1	1	ELIMINADO 25.10.13	
S/Nº	12096567	ENGANCHE PUERTA COMPLETO	FULL DOOR HOOK	1	1	1	1	1	1	INTRODUCIDO 25.10.13	
	Q212031000	TUERCA SOMBRETERE M5	COWL NUT M5	2	2	2	2	2	2		
16	Z200550000	ASA PUERTA COMPLETA	COMPLETE DOOR HANDLE	1	1	1	1	1	1		
	Q308007000	ARANDELA DUBO 5	WASHER DUBO 5	2	2	2	2	2	2		
	Q162030000	TUERCA EXAGONAL M5	HEXAGONAL NUT M5	2	2	2	2	2	2		
17	Z270501000	PUERTA MONTADA	FITTED DOOR	1	1	1	1	1	1		
	Z270516000	TOPE	STOP	2	2	2	2	2	2		
	Z200506000	IMAN	MAGNET	1	1	1	1	1	1		
S/Nº	Z276122000	CHECK LIST ARRASTRE FAGOR	CHECK LIST	1	1	1	1	1	1	INTRODUCIDO 19.07.10	

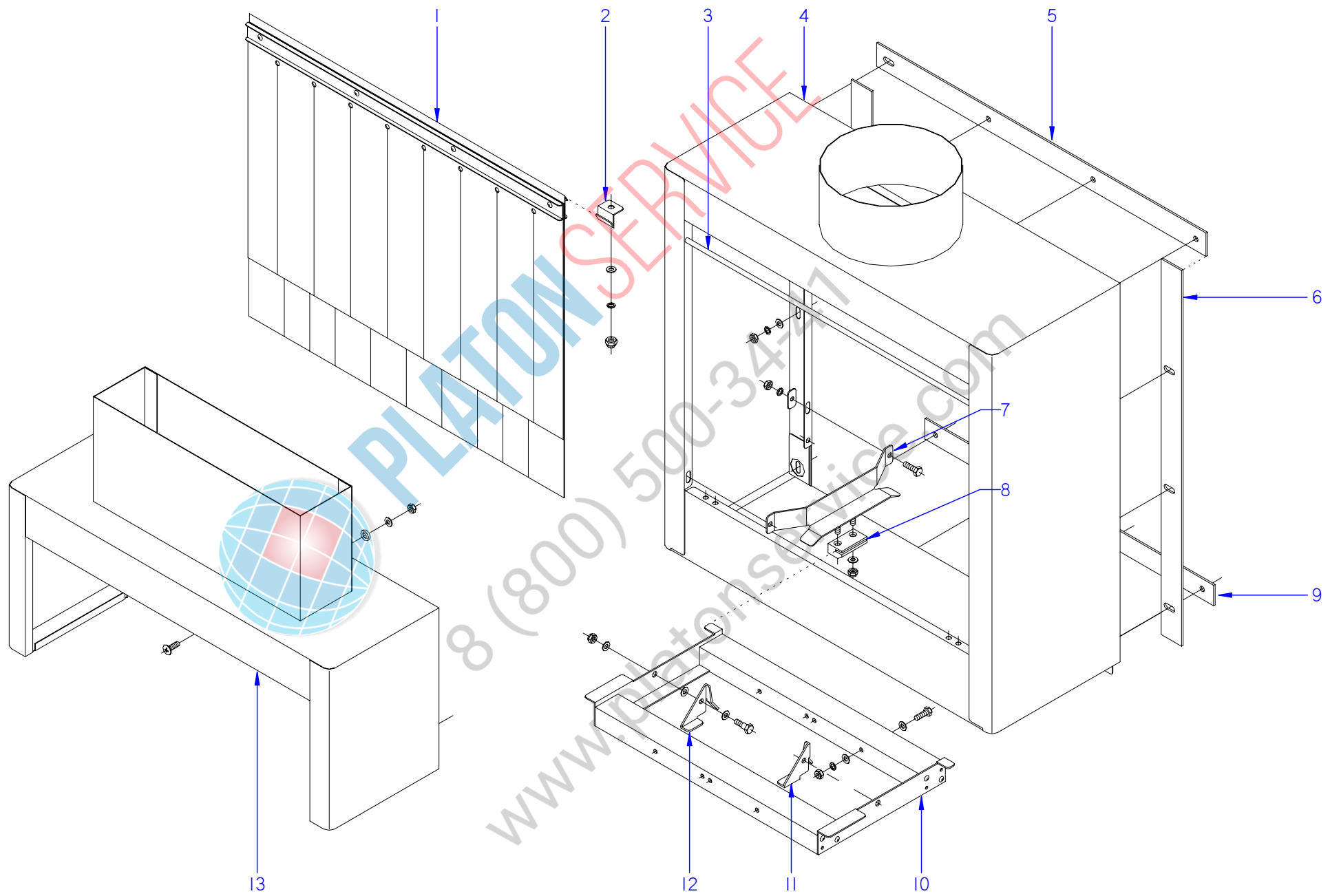
MOD.		LAVAVAJILLAS COMPACTOS COMPACT DISHWASHERS		ZONA	TUNEL DE LAVADO Y ACLARADO WASH AND RINSE TUNNEL				PLANO	C-2121	
ITEM	CODIGO	DENOMINACION	TEXTO	FI-160 I ECO-160 I	FI-160 D ECO-160 D	FI-200 I ECO-200 I	FI-200 D ECO-200 D	FI-200 W L	FI-200 W R		NOTAS
18	Z270327000	APOYO CORTINA	CURTAIN SUPPORT	1	1	1	1	1	1		
	Q262030000	ARANDELA GROW. A5 A.304	WASHER GROW. A5 A.304	3	3	3	3	3	3		
	Q232040000	ARANDELA A6	WASHER A6	3	3	3	3	3	3		
	Q212031000	TUERCA SOMBRERETE M5	COWL NUT M5	3	3	3	3	3	3		
19	Z270334000	PERFIL	PROFILE	4	4	4	4	4	4		
20	Z270336000	GUIA PUERTA	DOOR GUIDE	2	2	2	2	2	2		
	Q152045000	TORNILLO AMARRE M6X25	FASTENING BOLT M6X25	8	8	8	8	8	8		
	Q232040000	ARANDELA A6	WASHER A6	8	8	8	8	8	8		
	Q222012000	TUERCA AUTOBLOCANTE M6	SELF-LOCKING NUT M6	8	8	8	8	8	8		
21	Z270329000	FRONTAL PORTICO DERECHO	RIGHT GANTRY FRONT	1	1	1	1	1	1		
S/Nº	Z270328000	FRONTAL PORTICO IZQUIERDO	LEFT GANTRY FRONT	1	1	1	1	1	1		
	Q212031000	TUERCA SOMBRERETE M5	COWL NUT M5	2	2	2	2	2	2		
	Q262030000	ARANDELA GROW. A5 A.304	WASHER GROW. A5 A.304	2	2	2	2	2	2		
	Q232040000	ARANDELA A6	WASHER A6	2	2	2	2	2	2		
22	Z272936000	PANEL LATERAL	SIDE PANEL	1	1	1	1	1	1		
23	Z272906000	SUJECION PANELES	PANEL FASTENING	2	2	2	2	2	2		
24	Z272933000	PANEL FRONTAL COMPLETO	COMPLETE FRONT PANEL	1	1	1	1	1	1		
25	Z275078000	UNA ARRASTRE DERECHA LASER	LASER RIGHT DRAG CLAW	9	9	9	9	9	9		
26	Z275077000	UNA ARRASTRE IZQUIERDA LASER	LASER LEFT DRAG CLAW	9	9	9	9	9	9		
	Q232050000	ARANDELA A8	WASHER A8	36	36	36	36	36	36		
	Q152046000	TORNILLO EXAGON. CON CUELLO	HEXAGONAL BOLT. WITH NECK	18	18	18	18	18	18		
	Q232040000	ARANDELA A6	WASHER A6	18	18	18	18	18	18		
	Q222012000	TUERCA AUTOBLOCANTE M6	SELF-LOCKING NUT M6	18	18	18	18	18	18		
27	Z275051000	SOPORTE UNAS DE LAVADO	WASH CLAW SUPPORT	1	1	1	1	1	1		
28	Z275065000	GUIA LAVADO ANTER. IZQUIERDO	LEFT FRONT WASH GUIDE	1	-	1	-	1	-		
28	Z275066000	GUIA LAVADO ANTER. DERECHO	RIGHT FRONT WASH GUIDE	-	1	-	1	-	1		
29	Z271211000	"U" SOPORTE PULSADORES	BUTTON U SUPPORT	4	4	4	4	4	4		
	Q262030000	ARANDELA GROW. A5 A.304	WASHER GROW. A5 A.304	8	8	8	8	8	8		
	Q232040000	ARANDELA A6	WASHER A6	8	8	8	8	8	8		
	Q212031000	TUERCA SOMBRERETE M5	COWL NUT M5	8	8	8	8	8	8		

MOD.		LAVAVAJILLAS COMPACTOS COMPACT DISHWASHERS		ZONA	TUNEL DE LAVADO Y ACLARADO WASH AND RINSE TUNNEL				PLANO	C-2121	
ITEM	CODIGO	DENOMINACION	TEXTO	FI-160 I ECO-160 I	FI-160 D ECO-160 D	FI-200 I ECO-200 I	FI-200 D ECO-200 D	FI-200 W L	FI-200 W R		NOTAS
30	Z271205000	PULSADOR ACLARADO IZQUIERD.	LEFT RINSE BUTTON	1	-	1	-	1	-		
S/Nº	Z271222000	PULSADOR ACLARADO DERECHO	RIGHT RINSE BUTTON	-	1	-	1	-	1		
	Z271203000	MUELLE TORS. IZDO 27601	LEFT TORS. SPRING 27601	2	2	2	2	2	2		
	Z271204000	MUELLE TORS. DCHO 27561	RIGHT TORS. SPRING 27561	2	2	2	2	2	2		
31	Z271201000	SOPORTE PULSADOR	BUTTON SUPPORT	4	4	4	4	4	4		
	Q262030000	ARANDELA GROW. A5 A.304	WASHER GROW. A5 A.304	8	8	8	8	8	8		
	Q232040000	ARANDELA A6	WASHER A6	8	8	8	8	8	8		
	Q212031000	TUERCA SOMBRERETE M5	COWL NUT M5	8	8	8	8	8	8		
32	Z100522000	INTERRUPTOR MAGNETICO AC	MAGNETIC SWITCH AC	3	3	3	3	3	3		
	Q242020000	ARANDELA ABANICO A4 A.304	FAN WASHER A4 A.304	6	6	6	6	6	6		
	Q162020000	TUERCA EXAGONAL M4	HEXAGONAL NUT M4	6	6	6	6	6	6		
33	Z271251000	PULSADOR LAVADO IZQUIERDO	LEFT WASH BUTTON	1	-	1	-	-	-		
33	Z271246000	PULSADOR LAVADO IZQUIERDO W	LEFT WASH BUTTON W	-	-	-	-	1	-		
33	Z271253000	PULSADOR LAVADO DERECHO	RIGHT WASH BUTTON	-	1	-	1	-	-		
33	Z271247000	PULSADOR LAVADO DERECHO W	RIGHT WASH BUTTON W	-	-	-	-	-	1		
34	Z271213000	ESCUADRA SOPORTE	SUPP. BRACKET	1	1	1	1	1	1		
	Q152004000	TORNILLO APLASTADO M5x13 A304	FLAT HEADED BOLT M5x13 A304	2	2	2	2	2	2		
	Q262030000	ARANDELA GROW. A5 A.304	WASHER GROW. A5 A.304	2	2	2	2	2	2		
	Q232040000	ARANDELA A6	WASHER A6	2	2	2	2	2	2		
	Q212031000	TUERCA SOMBRERETE M5	COWL NUT M5	2	2	2	2	2	2		
35	Z271207000	IMAN	MAGNET	2	2	2	2	2	2		
	Z271206000	SOPORTE IMAN	MAGNET BRACKET	2	2	2	2	2	2		
	Q072033000	TORN.G.S. M5X20 A304	BOLT G.S. M5X20 A304	2	2	2	2	2	2		
	Q212031000	TUERCA SOMBRERETE M5	COWL NUT M5	2	2	2	2	2	2		
	Q232030000	ARANDELA A5	WASHER A5	2	2	2	2	2	2		
	Q162040000	TUERCA EXAGONAL M6	HEXAGONAL NUT M6	4	4	4	4	4	4		
36	Z275075000	DESIZAMIENTO GUIAS	GUIDE SLIDE	4	4	4	4	4	4		
	Q232040000	ARANDELA A6	WASHER A6	8	8	8	8	8	8		
	Q222012000	TUERCA AUTOBLOCANTE M6	SELF-LOCKING NUT M6	8	8	8	8	8	8		
	Q012042000	TORNILLO EXAGONAL M6X15	HEXAGONAL BOLT M6x15	4	4	4	4	4	4		
	Q262040000	ARANDELA GROW. A6 A.304	WASHER GROW. A6 A.304	4	4	4	4	4	4		

MOD.		LAVAVAJILLAS COMPACTOS COMPACT DISHWASHERS		ZONA	TUNEL DE LAVADO Y ACLARADO WASH AND RINSE TUNNEL				PLANO	C-2121	
ITEM	CODIGO	DENOMINACION	TEXTO	FI-160 I ECO-160 I	FI-160 D ECO-160 D	FI-200 I ECO-200 I	FI-200 D ECO-200 D	FI-200 W L	FI-200 W R		NOTAS
37	Z275034000	GUIA POSTERIOR LAVADO	REAR WASH GUIDE	1	1	1	1	1	1		
	Z310341000	ARANDELA RECTANGULAR	RECTANGULAR WASHER	4	4	4	4	4	4		
	Q162040000	TUERCA EXAGONAL M6	HEXAGONAL NUT M6	4	4	4	4	4	4		
	Q232040000	ARANDELA A6	WASHER A6	8	8	8	8	8	8		
	Q212031000	TUERCA SOMBRERETE M5	COWL NUT M5	8	8	8	8	8	8		
	Q262030000	ARANDELA GROW. A5 A.304	WASHER GROW. A5 A.304	8	8	8	8	8	8		

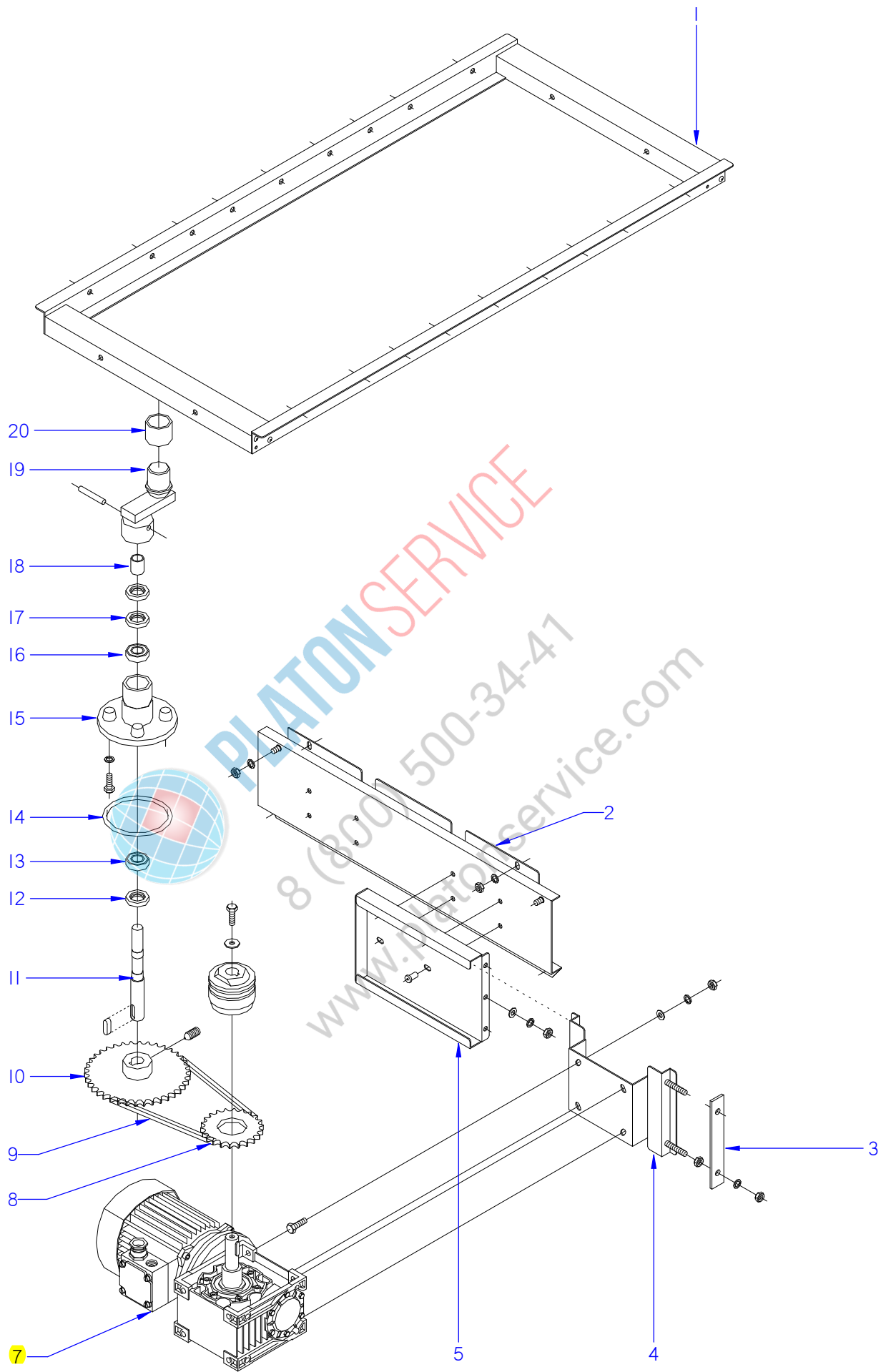
N plano
C-2122
Firma
Fecha
2008-10
Aparato
LAVAVAJILLAS COMPACTOS
TUNEL ASPIRADOR DE VAHOS
Lamina
3
Fagor Industrial S. Coop. **FAGOR**
Omate

ITEM MARCADO EN COLOR = REPUESTO RECOMENDADO
COLOURED ITEM = RECOMMENDED SPARE PART



MOD.		LAVAVAJILLAS COMPACTOS COMPACT DISHWASHERS		ZONA	TUNEL ASPIRADOR DE VAHOS STEAM INTAKE TUNNEL			PLANO	C-2122	
ITEM	CODIGO	DENOMINACION	TEXTO	FI-160 ECO-160	FI-200 ECO-200	FI-200 W				NOTAS
1	Z276419000	CORTINA EXTERIOR COMPLETA	COMPLETE EXTERIOR CURTAIN	2	2	2				
	Q302022000	ARANDELA 16X6X1.2 A.304	WASHER 16X6X1.2 A.304	12	12	12				
	Q262040000	ARANDELA GROW. A6 A304	WASHER GROW. A6 A304	12	12	12				
	Q162040000	TUERCA EXAGONAL M6	HEXAGONAL NUT M6	12	12	12				
2	Z270326000	SUJECION CORTINA	CURTAIN FASTENING	2	2					
	Q262040000	ARANDELA GROW. A6 A.304	WASHER GROW. A6 A.304	2	2					
	Q232040000	ARANDELA A6	WASHER A6	2	2					
	Q212040000	TUERCA SOMBRERETE M6	COWL NUT M6	2	2					
3	Z276520000	PROTECTOR SUPER. SOLDADO	UPPER PROTECTION WELDED	1	1	1				
	Q262030000	ARANDELA GROW. A5 A.304	WASHER GROW. A5 A.304	2	2	2				
	Q232030000	ARANDELA A5	WASHER A5	2	2	2				
	Q012032000	TORNILLO EXAGONAL M5X15	HEXAGONAL BOLT M5x15	2	2	2				
4	Z276501000	TUNEL ASPIRADOR VAHOS COMP.	COMP. STEAM EXTRACTOR TUN	1	1					
5	Z276206000	JUNTA SUPERIOR COMPACTO	COMPACT UPPER JOINT	1	1					
6	Z276208000	JUNTA LATERAL COMPACTO	COMPACT SIDE JOINT	2	2					
7	Z276215000	GUIA ENTRADA-SALIDA	INPUT-OUTPUT GUIDE	2	2					
	Q012042000	TORNILLO EXAGONAL M6X15 A304	HEXAGONAL BOLT M6x15 A304	4	4					
	Q262040000	ARANDELA GROW. A6 A.304	WASHER GROW. A6 A.304	4	4					
	Z310341000	ARANDELA RECTANGULAR	RECTANGULAR WASHER	4	4					
	Q162040000	TUERCA EXAGONAL M6	HEXAGONAL NUT M6	4	4					
8	Z275075000	DESLIZAMIENTO GUIAS	GUIDE SLIDE	2	2					
	Q232040000	ARANDELA A6	WASHER A6	4	4					
	Q222012000	TUERCA AUTOBLOCANTE M6	SELF-LOCKING NUT M6	4	4					
9	Z276207000	JUNTA INFERIOR COMPACTO	COMPACT LOWER GUIDE	1	1					
10	Z276221000	SOPORTE UÑA ENTRADA	INPUT CLAW SUPPORT	1	1					
	Q012042000	TORNILLO EXAGONAL M6X15 A304	HEXAGONAL BOLT M6x15 A304	2	2					
	Q232050000	ARANDELA A8	WASHER A8	4	4					
	Q232040000	ARANDELA A6	WASHER A6	2	2					
	Q222012000	TUERCA AUTOBLOCANTE M6	SELF-LOCKING NUT M6	2	2					
11	Z275077000	UÑA ARRASTRE IZQUIERDA LASER	LASER LEFT DRAG CLAW	1	1					

ITEM	CODIGO	DENOMINACION	TEXTO	FI-160 ECO-160	FI-200 ECO-200	FI-200 W						NOTAS
12	Z275078000	UÑA ARRASTRE DERECHA LASER	LASER RIGHT DRAG CLAW	1	1							
	Q232050000	ARANDELA A8	WASHER A8	4	4							
	Q152046000	TORNILLO EXAGON. CON CUELLO	HEXAGONAL BOLT. WITH NECK	2	2							
	Q232040000	ARANDELA A6	WASHER A6	2	2							
	Q222012000	TUERCA AUTOBLOCANTE M6	SELF-LOCKING NUT M6	2	2							
13	Z276293000	TUNEL ASPIRAD. VAHOS W COMP.	COMP. W STEAM EXTRAC.TUNN	-	-	1						



ITEM MARCADO EN COLOR = REPUESTO RECOMENDADO
 COLOURED ITEM = RECOMMENDED SPARE PART

N plano	Firma	Fecha	Aparato	SISTEMA DE ARRASTRE	Lamina	Fagor Industrial S.Coop. FAGOR
C-2123	<i>(Signature)</i>	2008-10	LAVAVAJILLAS COMPACTOS		4	Oñate

MOD.		LAVAVAJILLAS COMPACTOS COMPACT DISHWASHERS		ZONA	SISTEMA DE ARRASTRE / SWEEP ZONE			PLANO	C-2123	
ITEM	CODIGO	DENOMINACION	TEXTO	FI-160 ECO-160	FI-200 ECO-200	FI-200 H ECO-200 H	FI-200 W			NOTAS
1	Z275051000	SOPORTE UÑAS DE LAVADO	WASH CLAW SUPPORT	1	1	1	1			
2	Z270113000	SOPORTE TRANSVERSAL	TRANSVERSAL SUPPORT	1	1	1	1			
	Q262040000	ARANDELA GROW. A6 A.304	WASHER GROW. A6 A.304	4	4	4	4			
	Q162040000	TUERCA EXAGONAL M6	HEXAGONAL NUT M6	4	4	4	4			
	Q221343000	REMACHE EXAGONAL M6	HEXAGONAL RIVET M6	11	11	11	11			
3	Z275006000	TENSOR	TENSIONER	1	1	1	1			
	Q162050000	TUERCA EXAGONAL M8x1 INOX.	HEXAGONAL NUT M8x1 INOX.	3	3	3	3			
	Q262050000	ARANDELA GROW. A8 A.304	WASHER GROW. A8 A.304	3	3	3	3			
4	Z275002000	SOPORTE MOTORREDUCTOR	GEARED MOTOR SUPPORT	1	1	1	1			
	Q012053000	TORNILLO EXAGONAL M8X20	HEXAGONAL BOLT M8x20	4	4	4	4			
	Q262050000	ARANDELA GROW. A8 A.304	WASHER GROW. A8 A.304	4	4	4	4			
	Q162050000	TUERCA EXAGONAL M8x1 INOX.	HEXAGONAL NUT M8x1 INOX.	4	4	4	4			
5	Z275005000	GUIA MOTORREDUCTOR	GEARED MOTOR GUIDE	1	1	1	1			
	Q152018000	PERNO SOLDADO M6X10	WELDED BOLT M6X10	2	2	2	2			
	Q262040000	ARANDELA GROW. A6 A.304	WASHER GROW. A6 A.304	3	3	3	3			
	Q162040000	TUERCA EXAGONAL M6	HEXAGONAL NUT M6	3	3	3	3			
7	Z275073000	MOTORREDUCTOR SIN-FIN COMPL.	COMPLET. WORM GEAR MOTOR	1	-	-	-			
7	Z295003000	MOTORREDUCTOR SIN-FIN MONTAJE	COMPLET. WORM GEAR MOTOR	-	1	1	1			
8	Z105009000	CORONA	CROWN	1	1	1	-			
8	Z104104000	CORONA 60 Hz,	CROWN 60 Hz,	1	1	1	1			
9	Z275008000	CADENA IRIS 12.7X7.95X730	IRIS CHAIN 12.7x7.95x730	1	1	1	1			
	Z105012000	ENGANCHE CADENA SIMPLE	SIMPLE CHAIN FASTENER	1	1	1	1			
10	12024102	PIÑON	PINION	1	-	1	1			
10	12023550	PIÑON	PINION	-	1	-	-			
	Z105051000	VARILLA ROSCADA M. 8X16	THREADED ROD M-8x16	1	1	1	1			
11	Z275011000	EJE	SHAFT	1	1	1	1			
	Z105014000	CHAVETA 25X6X6	COTTER PIN 25X6X6	1	1	1	1			
12	Z105016000	RETEN RADIAL 20x35x7	RADIAL SEAL 20x35x7	1	1	1	1			
13	Z105017000	RODAMIENTO 6003-2RS	BEARING 6003 - 2RS	1	1	1	1			
14	Q307045000	JUNTA TORICA 105.28x94.62	"O" RING 105.28x94.62	1	1	1	1			

MOD.

**LAVAVAJILLAS COMPACTOS
COMPACT DISHWASHERS**

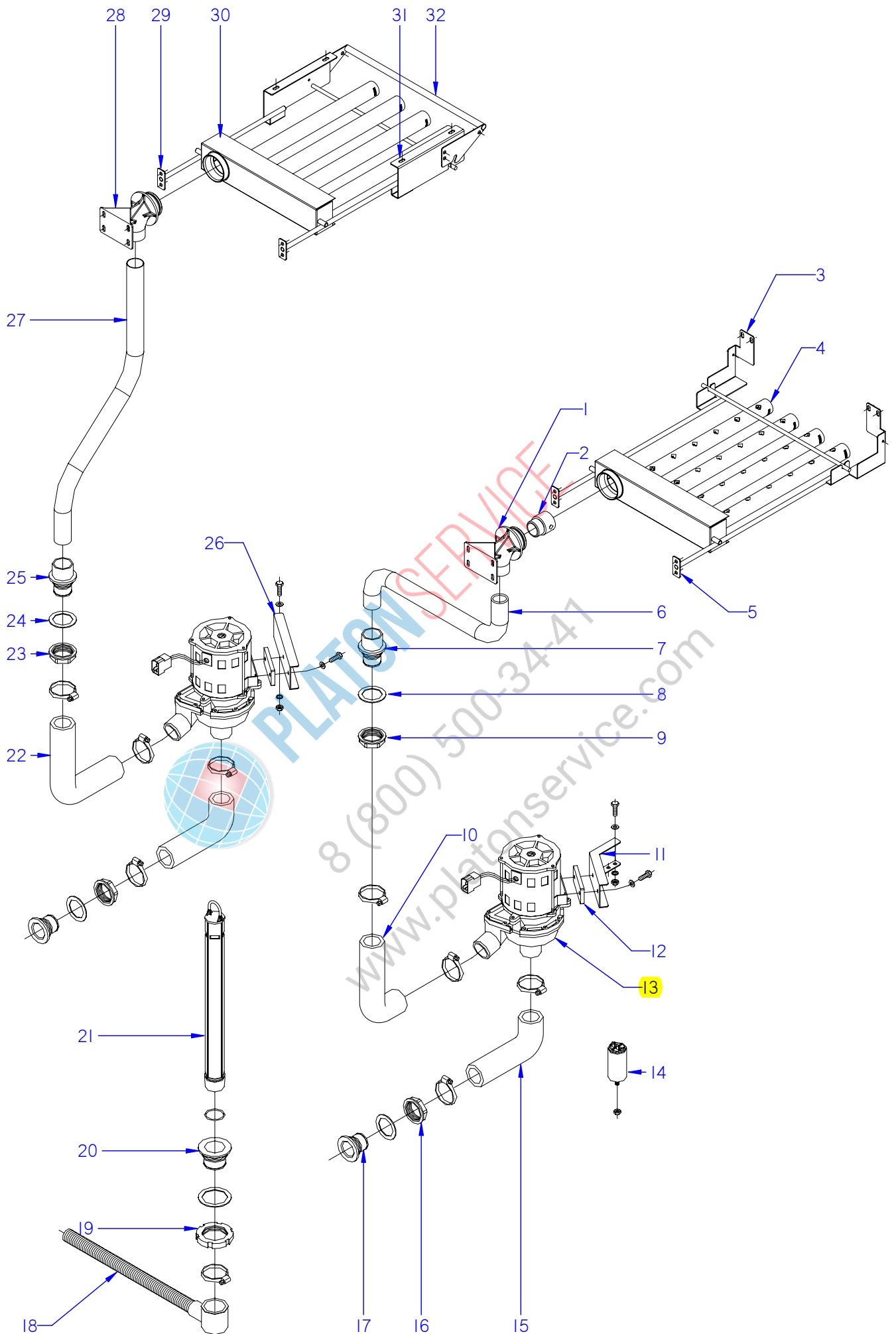
ZONA

SISTEMA DE ARRASTRE / SWEEP ZONE

PLANO

C-2123

ITEM	CODIGO	DENOMINACION	TEXTO	FI-160 ECO-160	FI-200 ECO-200	FI-200 H ECO-200 H	FI-200 W					NOTAS
15	Z275021000	SOPORTE RODAMIENTOS	BEARING SUPPORT	1	1	1	1					
	Q012053000	TORNILLO EXAGONAL M8X20	HEXAGONAL BOLT M8x20	4	4	4	4					
	Q262050000	ARANDELA GROW. A8 A.304	WASHER GROW. A8 A.304	4	4	4	4					
16	Z105017000	RODAMIENTO 6003-2RS	BEARING 6003 - 2RS	1	1	1	1					
17	Z105016000	RETEN RADIAL 20x35x7	RADIAL SEAL 20x35x7	2	2	2	2					
18	Z105055000	CASQUILLO DISTANCIADOR	SPACER BUSHING	1	1	1	1					
19	Z275025000	BULON ARRASTRE	DRIVE BOLT	1	1	1	1					
	Q362000000	PASADOR INOX.6,3x50	PIN INOX.6.3x50	1	1	1	1					
20	Z105027000	CASQUILLO	BUSHING	1	1	1	1					



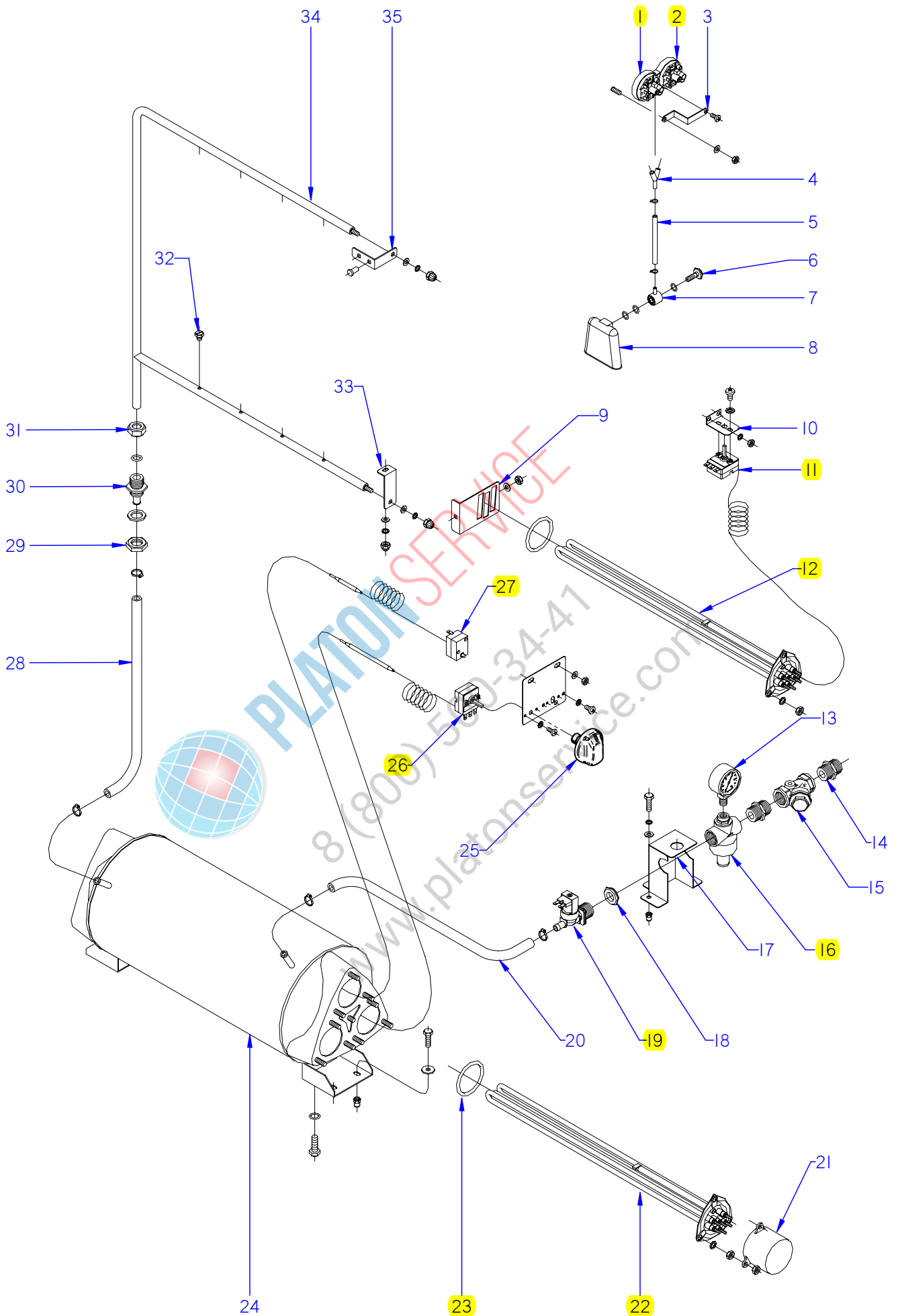
ITEM MARCADO EN COLOR = REPUESTO RECOMENDADO
 COLOURED ITEM = RECOMMENDED SPARE PART

N plano	Firma	Fecha	Aparato	SISTEMA DE LAVADO	Lamina	Fagor Industrial S.Coop. FAGOR
C-2124	<i>[Signature]</i>	2008-10	LAVAVAJILLAS COMPACTOS		5	Oñate

MOD.		LAVAVAJILLAS COMPACTOS COMPACT DISHWASHERS		ZONA	SISTEMA DE LAVADO / WASHING SYSTEM			PLANO	C-2124
ITEM	CODIGO	DENOMINACION	TEXTO	FI-160 ECO-160	FI-200 ECO-200	FI-200 W			NOTAS
1	Z330789000	PASAMUROS SUPER. PRELAVADO	PREWASH UPPER BUSHING.	1	1	1			
	Q262040000	ARANDELA GROW. A6 A.304	WASHER GROW. A6 A.304	4	4	4			
	Q232040000	ARANDELA A6	WASHER A6	4	4	4			
	Q162040000	TUERCA EXAGONAL M6	HEXAGONAL NUT M6	4	4	4			
2	Z330787000	REDUCCION PRELAVADO	PREWASH REDUCTION	1	1	1			
3	Z370711000	SOPORTE INFERIOR DERECHO	RIGHT LOWER SUPPORT	1	1	1			
4	Z270761000	DISTRIBUIDOR COMPACTO DCHO.	RIGHT COMPACT DISTRIBUTOR	1	1	1			
	Z270721000	TAPON CIERRE	CLOSING PLUG	4	4	4			
	Q307062000	JUNTA TORICA 23.47X28.71X2.62	O-RING 23.47X28.71X2.62	4	4	4			
5	Z370715000	SOPORTE INFERIOR IZQUIERDO	LEFT LOWER SUPPORT	1	1	1			
	Q262040000	ARANDELA GROW. A6 A.304	WASHER GROW. A6 A.304	4	4	4			
	Q232040000	ARANDELA A6	WASHER A6	4	4	4			
	Q162040000	TUERCA EXAGONAL M6	HEXAGONAL NUT M6	4	4	4			
6	Z330774000	CONduc. INF. DCHA. PRELAVADO	PREWASH RIGHT LOW. PIPE	1	1	1			
7	Z330751000	PASAMUROS IMPULSION PRELAV.	PREWASH IMPULSE BUSHING	1	1	1			ELIMINADO 06.02.09
7	Z330790000	PASAMUROS IMPULSION PRELAV.	PREWASH IMPULSE BUSHING	1	1	1			INTRODUCIDO 06.02.09
8	Q307058000	ARANDELA Ø60x44X2	WASHER Ø60x44X2	1	1	1			
9	Z710708000	TUERCA PASAMUROS	WALL BUSHING NUT	1	1	1			
	Q307065000	JUNTA TORICA Ø43,01X37,77X2.62	O-RING Ø43.01X37.77X2.62	1	1	1			
10	Z710905000	CONDUCTO IMPULSION ANTER.	FRONT IMPULSE PIPE	1	1	1			
	Q881307000	ABRAZADERA 40-60	CLAMP 40-60	2	2	2			
11	Z711001000	SOPORTE MOTOBOMBA ANTER.	FRONT MOTOR PUMP SUPPORT	1	1	1			
12	Z201003000	BASE BOMBA LAVADO 1003016	WASH PUMP BASE 1003016	2	2	2			
	Q232040000	ARANDELA A6	WASHER A6	4	4	4			
	Q012042000	TORNILLO EXAGONAL M6X15	HEXAGONAL BOLT M6x15	4	4	4			
13	12024265	MOTOBOMBA 230V AC 1N 50Hz 590	WASH PUMP 230V AC 1N 50Hz 590	2	2	2			
13	12024270	MOTOBOMBA 230V AC 1N 60Hz 590	WASH PUMP 230V AC 1N 60Hz 590	2	2	2			
14	V321300000	CONDENSADOR 10 M.F.	CONDENSER 10 M.F.	2	2	2			
	Q162050000	TUERCA EXAGONAL M8x1 INOX.	HEXAGONAL NUT M8x1 INOX.	2	2	2			
15	Z710904000	CONDUCTO ASPIRACION	EXTRACTOR PIPE	2	2	2			
	Q881307000	ABRAZADERA 40-60	CLAMP 40-60	2	2	2			

MOD.		LAVAVAJILLAS COMPACTOS COMPACT DISHWASHERS		ZONA	SISTEMA DE LAVADO / WASHING SYSTEM			PLANO	C-2124	
ITEM	CODIGO	DENOMINACION	TEXTO	FI-160 ECO-160	FI-200 ECO-200	FI-200 W				NOTAS
16	Z710708000	TUERCA PASAMUROS	WALL BUSHING NUT	2	2	2				
17	Z710903000	PASAMUROS ASPIRACION	EXTRACTOR BUSHING	2	2	2				
	Q307058000	ARANDELA Ø60x44X2	WASHER Ø60x44X2	2	2	2				
18	Z200910000	MANGUERA DESAGUE	DRAINAGE HOSE	1	1	1				
	Q881307000	ABRAZADERA 40-60	CLAMP 40-60	1	1	1				
19	Q220001000	TUERCA RANURADA M56X2,5 HOS	GROOVED NUT M56X2.5 HOS	1	1	1				
20	Z710902000	PASAMUROS DESAGUE	DRAINAGE BUSHING	1	1	1				
	Q307059000	JUNTA Ø72x56x2	JOINT Ø72x56x2	1	1	1				
21	Z270901000	ALIVIADERO	OVERFLOW	1	1	1				
	Q307051000	JUNTA TORICA Ø36.17X41.41X2.6	O-RING Ø36.17X41.41X2.6	1	1	1				
22	Z740901000	CONDUCTO IMPULSION	IMPULSE PIPE	1	1	1				ELIMINADO 17.09.2012
22	12023519	CONDUCTO IMPULSION POSTER.	REAR IMPULSE PIPE	1	1	1				INTRODUCIDO 17.09.2012
	Q881307000	ABRAZADERA 40-60	CLAMP 40-60	2	2	2				
23	Z710708000	TUERCA PASAMUROS	WALL BUSHING NUT	1	1	1				
	Q307065000	JUNTA TORICA Ø43,01X37,77X2.62	O-RING Ø43.01X37.77X2.62	1	1	1				
24	Q307058000	ARANDELA Ø60x44X2	WASHER Ø60x44X2	1	1	1				
25	Z330751000	PASAMUROS IMPULSION PRELAV.	PREWASH IMPULSE BUSHING	1	1	1				ELIMINADO 06.02.09
25	Z330790000	PASAMUROS IMPULSION PRELAV.	PREWASH IMPULSE BUSHING	1	1	1				INTRODUCIDO 06.02.09
26	Z711002000	SOPORTE MOTOBOMBA POSTER.	REAR MOTOR PUMP SUPPORT	1	1	1				
	Q012042000	TORNILLO EXAGONAL M6X15	HEXAGONAL BOLT M6x15	4	4	4				
	Q232040000	ARANDELA A6	WASHER A6	4	4	4				
	Q262040000	ARANDELA GROW. A6 A.304	WASHER GROW. A6 A.304	4	4	4				
	Q162040000	TUERCA EXAGONAL M6	HEXAGONAL NUT M6	4	4	4				
27	Z330776000	CONduc. SUP. DCHA PRELAVADO	PREWASH RIGHT UPPER PIPE	1	1	1				
28	Z330789000	PASAMUROS SUPER. PRELAVADO	PREWASH UPPER BUSHING.	1	1	1				
	Q232040000	ARANDELA A6	WASHER A6	4	4	4				
	Q162040000	TUERCA EXAGONAL M6	HEXAGONAL NUT M6	4	4	4				
29	Z370701000	SOPORTE SUPERIOR DERECHO	RIGHT UPPER SUPPORT	1	1	1				
	Q262040000	ARANDELA GROW. A6 A.304	WASHER GROW. A6 A.304	4	4	4				
	Q232040000	ARANDELA A6	WASHER A6	4	4	4				
	Q162040000	TUERCA EXAGONAL M6	HEXAGONAL NUT M6	4	4	4				

ITEM	CODIGO	DENOMINACION	TEXTO	FI-160 ECO-160	FI-200 ECO-200	FI-200 W						NOTAS
30	Z270764000	DISTRIBUIDOR COMPACTO IZDO.	LEFT COMPACT DISTRIBUTOR	1	1	1						
	Z270721000	TAPON CIERRE	CLOSING PLUG	4	4	4						
	Q307062000	JUNTA TORICA 23.47X28.71X2.62	O-RING 23.47X28.71X2.62	4	4	4						
31	Z370705000	SOPORTE SUPERIOR IZQUIERDO	LEFT UPPER SUPPORT	1	1	1						
	Q262040000	ARANDELA GROW. A6 A.304	WASHER GROW. A6 A.304	4	4	4						
	Q232040000	ARANDELA A6	WASHER A6	4	4	4						
	Q162040000	TUERCA EXAGONAL M6	HEXAGONAL NUT M6	4	4	4						
32	Z370725000	SUJECION DISTRIB. PRELAVADO	PREWASH DISTRIB. FASTENING	1	1	1						
	Q152047000	TORNILLO CILINDRI. CON CUELLO	CYLINDRICAL SCREW WITH NEC	2	2	2						
	Q262030000	ARANDELA GROW. A5 A.304	WASHER GROW. A5 A.304	2	2	2						
	Q212031000	TUERCA SOMBRERETE M5	COWL NUT M5	2	2	2						

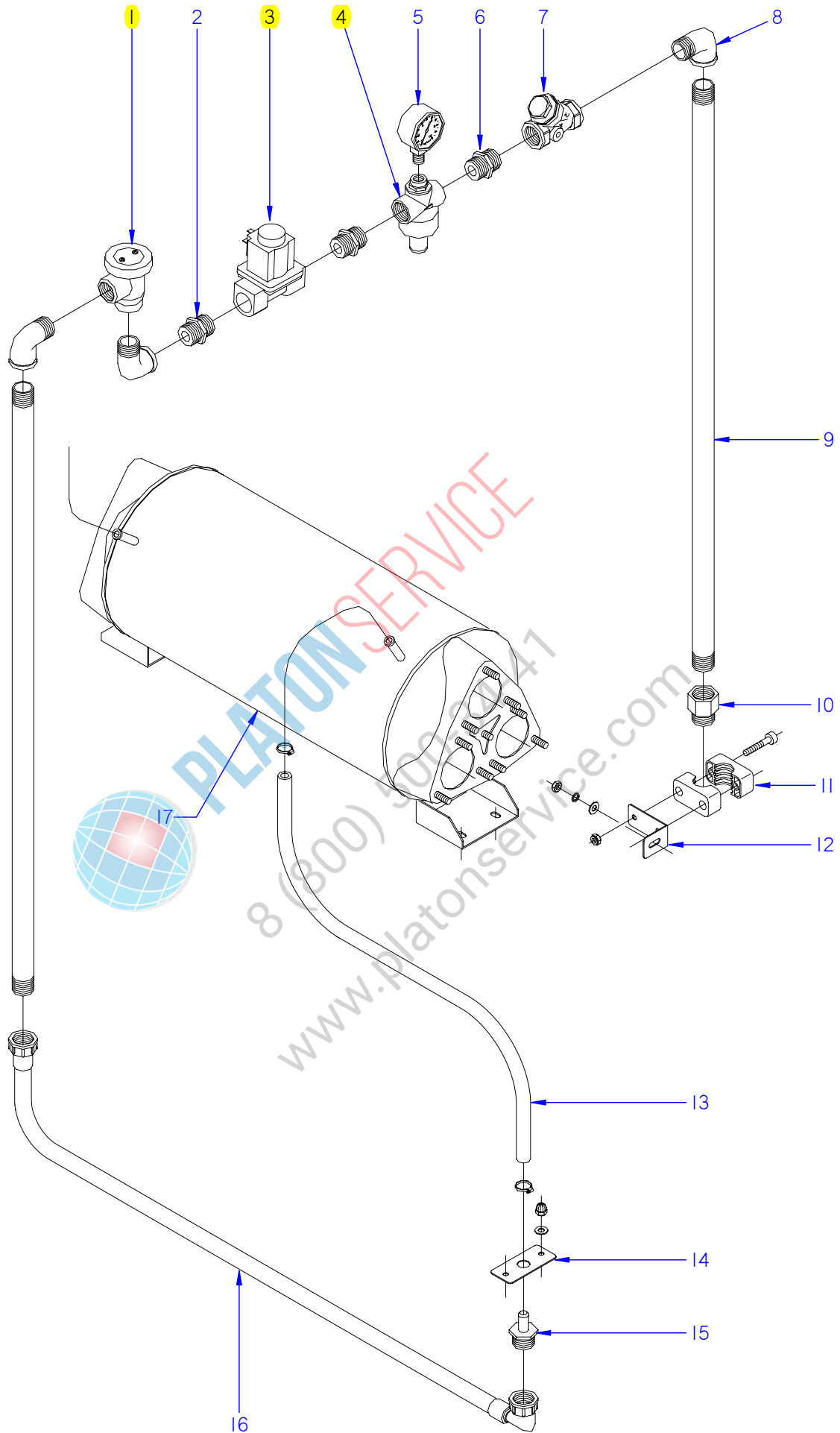


ITEM MARCADO EN COLOR = REPUESTO RECOMENDADO
 COLOURED ITEM = RECOMMENDED SPARE PART

N plano	Firma	Fecha	Aparato	SISTEMA DE ACLARADO	Lamina	Fagor Industrial S.Coop. FAGOR
C-2125	<i>[Signature]</i>	2008-10	LAVAVAJILLAS COMPACTOS FI / W		6	Oñate

MOD.		LAVAVAJILLAS COMPACTOS COMPACT DISHWASHERS		ZONA	SISTEMA DE ACLARADO / RINSE SYSTEM				PLANO	C-2125
ITEM	CODIGO	DENOMINACION	TEXTO	FI-160	FI-200	FI-200 H	FI-200 W			NOTAS
1	Z403021000	PRESOSTATO SIMPLE	SIMPLE PRESSURE SWITCH	1	1	1	1			ELIMINADO 12.05.09
2	Z273006000	PRESOSTATO SIMPLE	SIMPLE PRESSURE SWITCH	1	1	1	1			
3	Z602923000	SOPORTE PRESOSTATO	PRESSURE SWITCH SUPPORT	1	1	1	1			
	Q082032000	TORNILLO ALOMADO BZ-3,5X9,5	CURVED SCREW BZ-3.5x9.5	1	1	1	1			
	Q232040000	ARANDELA A6	WASHER A6	1	1	1	1			
	Q162040000	TUERCA EXAGONAL M6	HEXAGONAL NUT M6	1	1	1	1			
4	Z103077000	RACORD EN Y	Y-CONNECTION	1	1	1	1			ELIMINADO 12.05.09
5	3702400000	TUBO GOMA NEGRO D 8*4	BLACK RUBBER PIPE Ø 8*4	1	1	1	1			
	P102154000	BRIDA ELASTICA TUBO	ELASTIC PIPE FLANGE	2	2	2	2			
6	Z203013000	TORNILLO PRESOSTATO	PRESSURE SWITCH BOLT	1	1	1	1			
	Q307003000	JUNTA TORICA 16.01X10.77X2.62	O-RING 16.01X10.77X2.62	3	3	3	3			
7	Z203012000	EMPALME PRESOSTATO	PRESSURE SWITCH CONNEX	1	1	1	1			
8	Z203011000	CAMARA PRESOSTATO	PRESSURE SWITCH	1	1	1	1			
9	Z273602000	SUJECION RESISTENCIA	RESISTOR FASTENING	1	1	1	1			
	Q232040000	ARANDELA A6	WASHER A6	1	1	1	1			
	Q162040000	TUERCA EXAGONAL M6	HEXAGONAL NUT M6	1	1	1	1			
	Q307044000	JUNTA TORICA Ø 67.18x56.52x5.3	O-RING Ø 67.18x56.52x5.3	1	1	1	1			
10	Z850111000	SOPORTE TERMOSTATO	THERMOSTAT SUPPORT	1	1	1	1			
	Q232040000	ARANDELA A6	WASHER A6	2	2	2	2			
	Q162040000	TUERCA EXAGONAL M6	HEXAGONAL NUT M6	2	2	2	2			
	Q152024000	TORNILLO AVELLANADO M4X8 A304	COUNTERSUNK BOLT M4X8 A304	2	2	2	2			
11	Z203014000	TERMOSTATO CALDERIN	WASH DRUM THERMOSTAT	2	2	2	2			ELIMINADO 30.11.2012
	12040858	TERMOSTATO CALDERIN	WASH DRUM THERMOSTAT	2	2	2	2			INTRODUCIDO 30.11.2012
S/Nº	Z273072000	REGULACION TERMOSTATO 63°C	THERMOSTAT CONTROL 63°C	1	1	1	1			ELIMINADO 30.11.2012
S/Nº	12047241	REGULACION 63°C Tc DE 85°C	CONTROL 63°C Tc DE 85°C	1	1	1	1			INTRODUCIDO 30.11.2012
12	Z121741000	RESISTENCIA COMP.230V.	COMP. RESISTOR 230V.	1	1	1	1			
12	Z271705000	RESISTENCIA W ARRASTRE	DRIVE RESISTOR W				1			
	Q262040000	ARANDELA GROW. A6 A.304	WASHER GROW. A6 A.304	3	3	3	3			
	Q162040000	TUERCA EXAGONAL M6	HEXAGONAL NUT M6	3	3	3	3			
13	Z102316000	MANOMETRO	MANOMETER	1	1	1				
14	Z102301000	MANGUITO 3/4"	HOSE 3/4"	2	2	2				

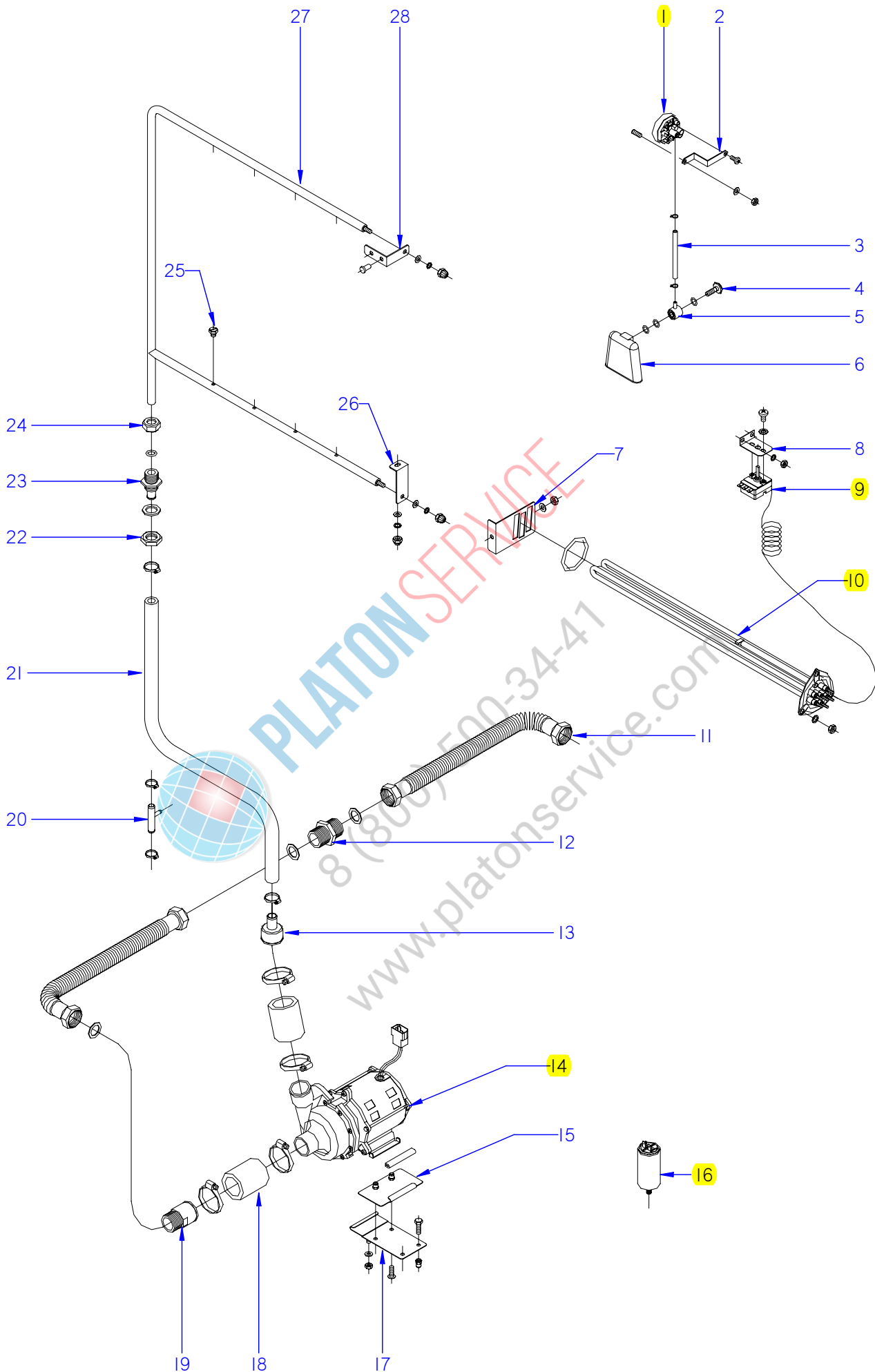
MOD.		LAVAVAJILLAS COMPACTOS COMPACT DISHWASHERS		ZONA	SISTEMA DE ACLARADO / RINSE SYSTEM				PLANO	C-2125
ITEM	CODIGO	DENOMINACION	TEXTO	FI-160	FI-200	FI-200 H	FI-200 W			NOTAS
15	Z102308000	FILTRO 3/4	FILTER 3/4"	1	1	1				
16	Z102307000	REDUCTOR PRESION	PRESSURE REDUCER	1	1	1				
17	Z271120000	SOPORTE CONDUCCION 3/4	PIPE SUPPORT 3/4	1	1	1				
	Q012042000	TORNILLO EXAGONAL M6X15	HEXAGONAL BOLT M6x15	2	2	2				
	Q262040000	ARANDELA GROW. A6 A.304	WASHER GROW. A6 A.304	2	2	2				
18	Q221324000	TUERCA 3/4 GAS	NUT 3/4 GAS	1	1	1				
19	Z701135000	ELECTROVALVULA SIMP.220V	SOLENOID VALVE SIMP.220V	1	1	1				
20	3676900000	TUBO GOMA NEGRA Ø 17*10	BLACK RUBBER PIPE 17*10	1	1	1				
	Q881302000	ABRAZADERA 12-20	CLAMP 12-20	2	2	2				
21	Z101723000	CAPERUZA RESISTENCIA	RESISTOR HOOD	3	3	3	3			
	Q301304000	ARANDELA PLANA 23X6,5X2	FLAT WASHER 23X6.5X2	4	4	4	4			
	Q012063000	TORNILLO EXAGONAL M10X20	HEXAGONAL SCREW M10X20	1	1	1	1			
22	12024214	RESISTENCIA COMP.230V.	COMP. RESISTOR 230V.	3	3	3				
22	12024721	RESISTENCIA 220-240 V.	RESISTOR 220-240 V.			3				
22	12024722	RESISTENCIA W ARRASTRE	DRIVE RESISTOR W				3			
	Q221305000	TUERCA EXAG.AUTOBL. M4 ZINC.	HEX BOLT SELF-LOCK M4 ZINC	18	18	18	18			
23	Q307044000	JUNTA TORICA Ø 67,18x56,52x5,3	O-RING Ø 67.18x56.52x5.3	3	3	3	3			
24	Z311701000	CALDERIN	BOILER	1	1	1	1			
	Q163140000	TUERCA EXAGONAL M6 LATON	HEXAGONAL NUT M6 BRASS	18	18	18	18			
25	Z203069000	BOTON DE MANDO	CONTROL BUTTON	1	1	1	1			
S/Nº	Z273037000	SOPORTE THERMOST. A.C.	THERMOSTAT SUPPORT A.C.	2	2	2	2			
	Q232040000	ARANDELA A6	WASHER A6	6	6	6	6			
	Q162040000	TUERCA EXAGONAL M6	HEXAGONAL NUT M6	6	6	6	6			
	Q152024000	TORNILLO AVELLANADO M4X8 A304	COUNTERSUNK BOLT M4X8 A304	4	4	4	4			
26	Z203014000	TERMOSTATO CALDERIN	WASH DRUM THERMOSTAT	1	1	1	1			ELIMINADO 30.11.2012
26	12040858	TERMOSTATO CALDERIN	WASH DRUM THERMOSTAT	1	1	1	1			INTRODUCIDO 30.11.2012
S/Nº	Z273073000	REGULACION THERMOSTATO 70°C	THERMOSTAT CONTROL 70°C	1	1	1	1			ELIMINADO 30.11.2012
S/Nº	12047243	REGULACION A 70°C Tc 85°C	CONTROL 70°C Tc 85°C	1	1	1	1			INTRODUCIDO 30.11.2012
27	Z276365000	TERMOSTATO 150°C	THERMOSTAT 150°C	1	1	1	1			
28	3676900000	TUBO GOMA NEGRA Ø 17*10	BLACK RUBBER PIPE 17*10	1	1	1	1			
	Q881302000	ABRAZADERA 12-20	CLAMP 12-20	2	2	2	2			



ITEM MARCADO EN COLOR = REPUESTO RECOMENDADO
 COLOURED ITEM = RECOMMENDED SPARE PART

N plano	Firma	Fecha	Aparato	ENTRADA DE AGUA	Lamina	Fagor Industrial S.Coop. FAGOR
C-2126	<i>[Signature]</i>	2008-10	LAVAVAJILLAS COMPACTOS W		7	Oñate

MOD.		LAVAVAJILLAS COMPACTOS COMPACT DISHWASHERS		ZONA	ENTRADA DE AGUA / WATER INLET		PLANO	C-2126	
ITEM	CODIGO	DENOMINACION	TEXTO	FI-200 W					NOTAS
1	Z718418000	VALVULA ANTIRRETORNO W	NON-RETURN VALVE W	1					
2	Z718453000	MANGUITO 3/4"GAS-NPT	HOSE 3/4" GAS-NPT	2					
3	Z718415000	ELECTROVALVULA USA	SOLENOID VALVE USA	1					
4	Z102307000	REDUCTOR PRESION	PRESSURE REDUCER	1					
5	Z271125000	MANOMETRO W NSF	MANOMETER W NSF	1					
6	Z102301000	MANGUITO 3/4"	HOSE 3/4"	1					
7	Z102308000	FILTRO 3/4	FILTER 3/4"	1					
8	Z718421000	CODO M-H 3/4" LATON	L-BEND M-H 3/4" BRASS	2					
9	Z271121000	CONDUCCION ANTIRRETORNO W	NON-RETURN PIPE W	2					
10	T125033000	ADAPTADOR ROSCA 3/4"-3/4NPT	THREAD ADAPTER 3/4"-3/4NPT	1					
11	Z718413000	BRIDA ADA 3/4 SIN BASE-TOR	FLANGE ADA 3/4 W/O BASE-TOR	8					
	Q052046000	TORNILLO ALLEN M6X40 A.304	ALLEN BOLT M6X40 A.304	8					
	Q301370000	ARANDELA PLANA A13	FLAT WASHER A13	8					
	Q222012000	TUERCA AUTOBLOCANTE M6	SELF-LOCKING NUT M6	8					
12	Z271122000	SOPORTE ANTIRRETORNO	NON-RETURN SUPPORT	4					
	Q232040000	ARANDELA A6	WASHER A6	4					
	Q262040000	ARANDELA GROW. A6 A.304	WASHER GROW. A6 A.304	4					
	Q162040000	TUERCA EXAGONAL M6	HEXAGONAL NUT M6	4					
	Q212040000	TUERCA SOMBRERETE M6	COWL NUT M6	4					
13	3676900000	TUBO GOMA NEGRA Ø 17*10	BLACK RUBBER PIPE 17*10	1					
	Q881302000	ABRAZADERA 12-20	CLAMP 12-20	2					
14	Z271123000	SOPORTE EMPALME 3/4	CONNECTION SUPPORT 3/4"	1					
15	Z102309000	EMPALME 3-4	CONNECTION 3-4'	1					
16	Z602121000	MANGUERA ENTRADA AGUA	WATER INTAKE HOSE	1					
17	Z311701000	CALDER(1200003017)	BOILER (1200003017)	1					

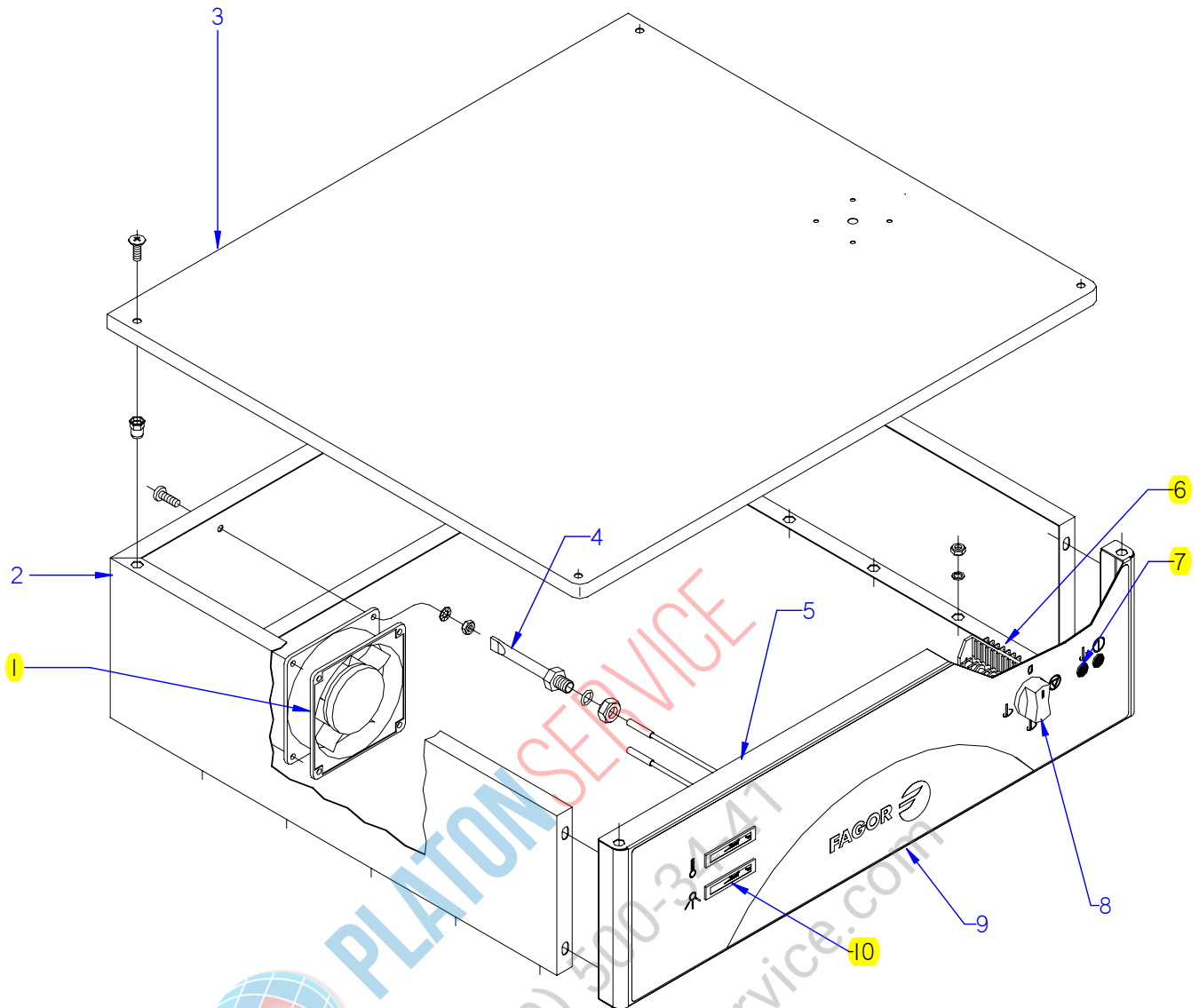


ITEM MARCADO EN COLOR = REPUESTO RECOMENDADO
 COLOURED ITEM = RECOMMENDED SPARE PART

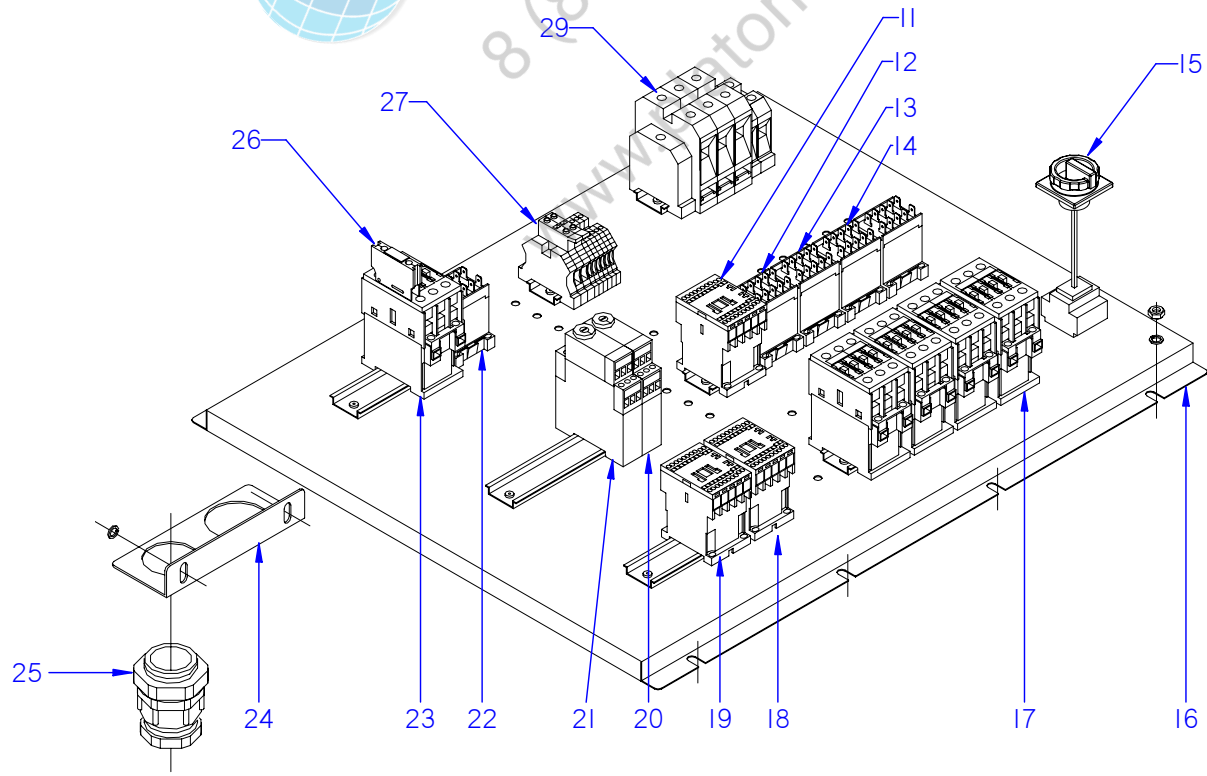
N plano	Firma	Fecha	Aparato	SISTEMA DE ACLARADO	Lamina	Fagor Industrial S.Coop. FAGOR
C-2127	<i>(Signature)</i>	2008-10	LAVAVAJILLAS COMPACTOS ECO		8	Oñate

MOD.		LAVAVAJILLAS COMPACTOS COMPACT DISHWASHERS		ZONA		SISTEMA DE ACLARADO / RINSE SYSTEM		PLANO		C-2127	
ITEM	CODIGO	DENOMINACION	TEXTO	ECO-160	ECO-200						NOTAS
1	Z273006000	PRESOSTATO SIMPLE	SIMPLE PRESSURE SWITCH	1	1						
2	Z602923000	SOPORTE PRESOSTATO	PRESSURE SWITCH SUPPORT	1	1						
	Q082032000	TORNILLO ALOMADO BZ-3,5X9,5	CURVED SCREW BZ-3.5x9.5	1	1						
	Q162040000	TUERCA EXAGONAL M6	HEXAGONAL NUT M6	1	1						
3	3702400000	TUBO GOMA NEGRO D 8*4	BLACK RUBBER PIPE Ø 8*4	1	1						
	P102154000	BRIDA ELASTICA TUBO	ELASTIC PIPE FLANGE	2	2						
4	Z203013000	TORNILLO PRESOSTATO	PRESSURE SWITCH BOLT	1	1						
	Q307003000	JUNTA TORICA 16.01X10.77X2.62	O-RING 16.01X10.77X2.62	3	3						
5	Z203012000	EMPALME PRESOSTATO	PRESSURE SWITCH CONNEX	1	1						
6	Z203011000	CAMARA PRESOSTATO	PRESSURE SWITCH	1	1						
7	Z273602000	SUJECION RESISTENCIA	RESISTOR FASTENING	1	1						
	Q232040000	ARANDELA A6	WASHER A6	1	1						
	Q162040000	TUERCA EXAGONAL M6	HEXAGONAL NUT M6	1	1						
	Q307044000	JUNTA TORICA Ø 67.18x56.52x5.3	O-RING Ø 67.18x56.52x5.3	1	1						
8	Z850111000	SOPORTE TERMOSTATO	THERMOSTAT SUPPORT	1	1						
	Q232040000	ARANDELA A6	WASHER A6	2	2						
	Q152024000	TORNILLO AVELLANADO M4X8 A304	COUNTERSUNK BOLT M4X8 A304	2	2						
9	Z203014000	TERMOSTATO CALDERIN	WASH DRUM THERMOSTAT	1	1						ELIMINADO 30.11.2012
	12040858	TERMOSTATO CALDERIN	WASH DRUM THERMOSTAT	1	1						INTRODUCIDO 30.11.2012
S/Nº	Z273072000	REGULACION TERMOSTATO 63°C	THERMOSTAT CONTROL 63°C	1	1						ELIMINADO 30.11.2012
S/Nº	12047241	REGULACION 63°C Tc DE 85°C	CONTROL 63°C Tc DE 85°C	1	1						INTRODUCIDO 30.11.2012
10	Z121741000	RESISTENCIA 9600 230V.	RESISTOR 9600 230V	1	1						
	Q221305000	TUERCA EX.AUTO M4 ZINCADA	EX.AUTO NUT M4 ZINC-COATED	6	6						
11	Z951101000	TUBO CORRUGADO	CORRUGATED PIPE	2	2						
12	Z162306000	MANGUITO DOBLE ROSCA LATON 1	DOUBLE HOSE BRASS THREAD	1	1						
	Q306038000	ARANDELA JUNTA Ø 31X21X1.5	JOINT WASHER Ø 31X21X1.5	3	3						
13	Z162312000	REDUCCION	REDUCTION	1	1						
14	Z401001000	BOMBA LAVADO	WASH PUMP	1	1						
	Z401001100	TURBINA BOMBA Z401001	TURBINE PUMP Z401001	1	1						
	Z281112000	PROTECTOR MOTOBOMBA	MOTOR PUMP GUARD	1	1						
	3701700000	PERFIL GOMA U 9*4 (2METROS)	RUBBER PROFILE U 9*4 (2 METR	2	2						

MOD.		LAVAVAJILLAS COMPACTOS COMPACT DISHWASHERS		ZONA	SISTEMA DE ACLARADO / RINSE SYSTEM			PLANO	C-2127
ITEM	CODIGO	DENOMINACION	TEXTO	ECO-160	ECO-200				NOTAS
15	Z162313000	AMARRE MOTOBOMBA COMPL.	COMPL. MOTOR PUMP FASTENING	1	1				
16	V817100000	CONDENSADOR 6 M.F.	CONDENSER 6 M.F.	1	1				
17	Z162315000	SOPORTE MOTOBOMBA COMPL.	COMPL. MOTOR PUMP SUPPORT	1	1				
	Q152004000	TORNILLO APLASTADO M5x13 A304	FLAT HEADED BOLT M5x13 A304	2	2				
	Q012042000	TORNILLO EXAGONAL M6X15	HEXAGONAL BOLT M6x15	2	2				
	Q162040000	TUERCA EXAGONAL M6	HEXAGONAL NUT M6	2	2				
	Q262030000	ARANDELA GROW. A5 A.304	WASHER GROW. A5 A.304	2	2				
	Q232040000	ARANDELA A6	WASHER A6	2	2				
18	Z162301000	CONDUCTO ASPIRAC. IMPULSION	EXTRACTOR PIPE. IMPULSE	2	2				
	Q881307000	ABRAZADERA 40/60	CLAMP 40/60	4	4				
19	Z701102000	MANGUITO	HOSE	1	1				
20	Z601157000	TOMA PRESION	PRESSURE INTAKE	1	1				
	Q881336000	ABRAZADERA 16/27	CLAMP 16/27	2	2				
21	3715300000	TUBO GOMA NEGRA Ø 14*24	BLACK RUBBER PIPE 14*24	1	1				
	Q881336000	ABRAZADERA 16*27	CLAMP 16*27	2	2				
22	Q223023000	TUERCA EXAGONAL 5-8 LATON	HEX NUT 5-8 BRASS	1	1				
23	Z281901000	PASAMUROS ACLARADO	RINSE BUSHING	1	1				
	Q307032000	JUNTA Ø32X21X3	JOINT Ø32X21X3	1	1				
24	Q223108000	TUERCA M.24X2.5	NUT M.24X2.5	1	1				
25	Z211903000	TOBERA ACLARADO	RINSE NOZZLE	8	8				
26	Z271912000	AMARRE INFERIOR ACLARADO	LOWER RINSE FASTENING	1	1				
	Q262030000	ARANDELA GROW. A5 A.304	WASHER GROW. A5 A.304	1	1				
	Q232040000	ARANDELA A6	WASHER A6	3	3				
	Q212031000	TUERCA SOMBRETERE M5	COWL NUT M5	1	1				
27	Z271902000	12Z2719020 ARBOL DE ACLARADO	12Z2719020 RINSE SHAFT	1	1				
	Q307063000	JUNTA TORICA 12,29X19,35X3,53	O-RING 12.29X19.35X3.53	1	1				
28	Z271911000	SOPORTE SUPERIOR ACLARADO	UPPER RINSE SUPPORT	1	1				
	Q412004000	REMACHE MONOBOLT Ø4.8	MONOBOLT RIVET Ø4.8	2	2				
	Q262030000	ARANDELA GROW. A5 A.304	WASHER GROW. A5 A.304	1	1				
	Q232040000	ARANDELA A6	WASHER A6	1	1				
	Q212031000	TUERCA SOMBRETERE M5	COWL NUT M5	1	1				



PLATON SERVICE
 8 (800) 500-2421
 www.platonservice.com

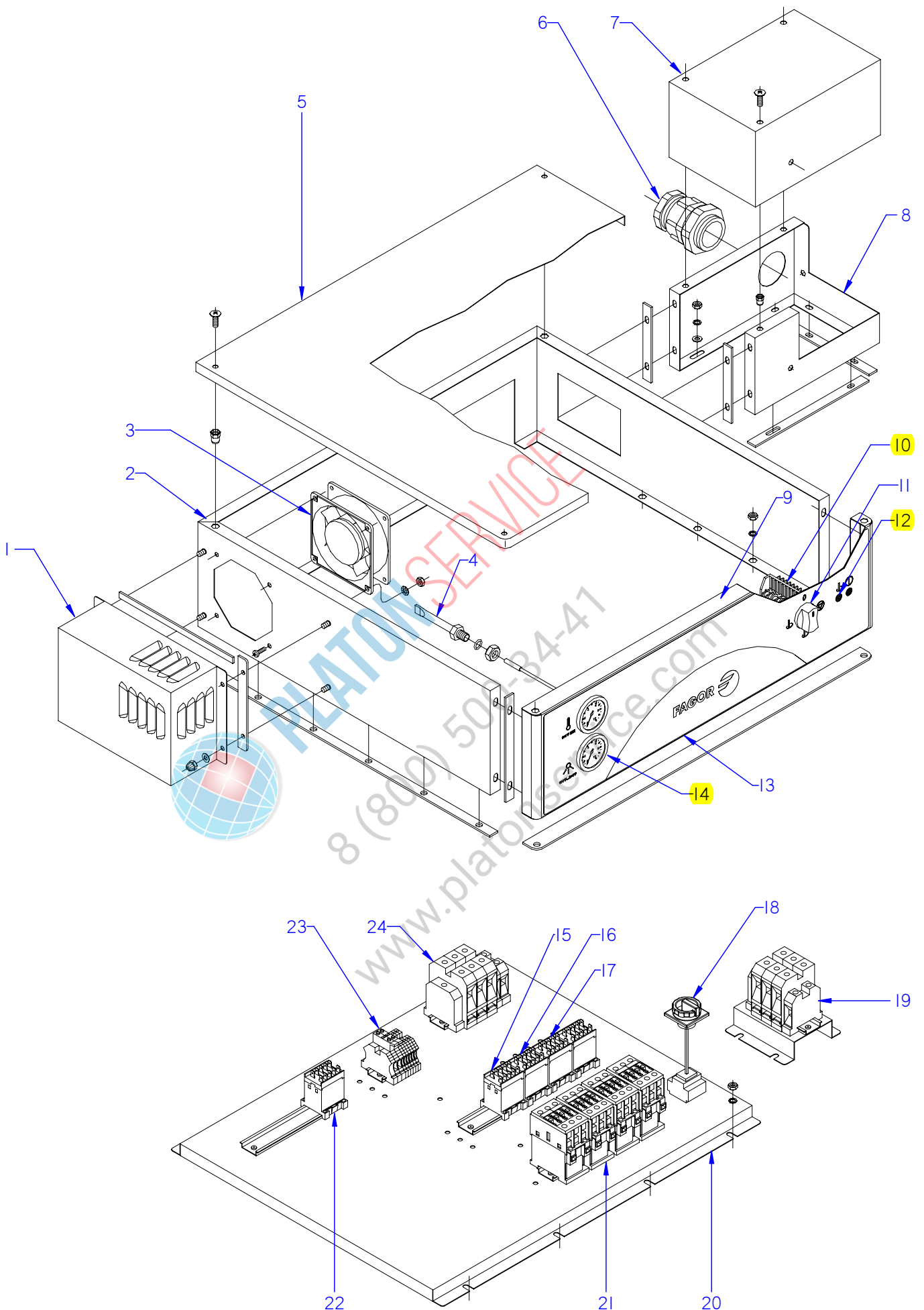


ITEM MARCADO EN COLOR = REPUESTO RECOMENDADO
 COLOURED ITEM = RECOMMENDED SPARE PART

N plano	Firma	Fecha	Aparato	CONJUNTO FUNCIONAL ELECTRICO	Lamina	Fagor Industrial S.Coop. FAGOR
C-2128	<i>(Signature)</i>	2008-10	LAVAVAJILLAS COMPACTOS		9	Oñate

MOD.		LAVAVAJILLAS COMPACTOS COMPACT DISHWASHERS		ZONA	CONJUNTO FUNCIONAL ELECTRICO FUNCTIONAL ELECTRIC UNIT				PLANO	C-2128
ITEM	CODIGO	DENOMINACION	TEXTO	FI-160	FI-200	ECO-160	ECO-200		NOTAS	
1	Z103066000	VENTILADOR 230V.50-60HZ	FAN 230V.50-60HZ	1	1	1	1			
2	Z313043000	CUBIERTA CUADRO ELECTRICO	ELECTRIC PANEL COVER	1	1	1	1		ELIMINADO 01.12.09	
2	Z313089000	CUBIERTA CUADRO ELECTRICO	ELECTRIC PANEL COVER	1	1	1	1		ELIMINADO 25.10.13	
2	12096569	CUBIERTA CUADRO ELECT. COMP.	COMP. ELECTR. PANEL COVER	1	1	1	1		INTRODUCIDO 25.10.13	
3	Z313048000	TAPA CUADRO ELECTRICO	ELECTRIC PANEL COVER	1	1	1	1		ELIMINADO 01.12.09	
3	Z313093000	TAPA CUADRO ELECTRICO	ELECTRIC PANEL COVER	1	1	1	1		INTRODUCIDO 01.12.09	
	Q152017000	TORNILLO AMARRE M6X13 A304	FASTENING BOLT M6X13 A304	4	4	4	4			
4	Z263002000	VAINA INDICADOR COMPLETA	COMPLETE INDICATOR SHELL	1	1	1	1			
	Q307048000	JUNTA TORICA 9,128x16,18x3,53	O-RING 9.128x16.18x3.53	1	1	1	1			
	Q162070000	TUERCA EXAGONAL M12	HEXAGONAL NUT M12	1	1	1	1			
5	Z313085000	FRENTE CUADRO ELECTRICO	ELECTRIC PANEL FRONT	1	1	1	1		ELIMINADO 01.12.09	
5	Z273075000	FRENTE CUADRO ELECTRICO	ELECTRIC PANEL FRONT	1	1	1	1		INTRODUCIDO 01.12.09	
	Q041324000	TORN. AVELLANADO M4X25 H.ZINC	HEXAGONAL COUNTERSUNK M4	2	2	2	2			
6	Z273005000	COMMUTADOR DE FUNCIONES	FUNCTIONS SWITCH	1	1	1	1			
	Z602906000	CASQUILLO	BUSHING	2	2	2	2			
7	Z313080000	PILOTO AMBAR Ø18	AMBAR PILOT LIGHT Ø18	2	2	2	2		ELIMINADO 01.02.2013	
7	12024254	PILOTO AMBAR 41227000A4	AMBAR PILOT 41227000A4	2	2	2	2		INTRODUCIDO 01.02.2013	
8	Z203069000	BOTON DE MANDO	CONTROL BUTTON	1	1	1	1		ELIMINADO 01.12.09	
8	Z513024000	BOTON DE MANDO	CONTROL BUTTON	1	1	1	1		INTRODUCIDO 01.12.09	
9	Z273064000	EMBELLECEDOR ADHESIVO FI-160	ADHESIVE TRIM FI-160	1	-	-	-		ELIMINADO 01.12.09	
9	Z273077000	EMBELLECEDOR ADHESIVO FI-160	ADHESIVE TRIM FI-160	1	-	-	-		INTRODUCIDO 01.12.09	
9	Z313078000	EMBELLECEDOR ADHESIVO FI-200	ADHESIVE TRIM FI-200	-	1	-	-		ELIMINADO 01.12.09	
9	Z313079000	EMBELLECEDOR ADHESIVO FI-200	ADHESIVE TRIM FI-200	-	1	-	-		INTRODUCIDO 01.12.09	
9	Z283023000	EMBELLECEDOR ADHES. ECO-160	ADHES. TRIM ECO-160	-	-	1	-		ELIMINADO 01.12.09	
9	Z283026000	EMBELLECEDOR ADHES. ECO-160	ADHES. TRIM ECO-160	-	-	1	-		INTRODUCIDO 01.12.09	
9	Z323021000	EMBELLECEDOR ADHES. ECO-200	ADHES. TRIM ECO-200	-	-	-	1		ELIMINADO 01.12.09	
9	Z323022000	EMBELLECEDOR ADHES. ECO-200	ADHES. TRIM ECO-200	-	-	-	1		INTRODUCIDO 01.12.09	
10	Z203072000	INDICADOR ANALOGICO RECT.	RECT. ANALOGUE DISPLAY	2	2	1	1		ELIMINADO 01.12.09	
10	Z513023000	INDICADOR ANALOGICO	RECT. ANALOGUE DISPLAY	2	2	1	1		INTRODUCIDO 01.12.09	
11	Z743009000	CONTACTOR SIRIUS 3RT10 16-2AP	SIRIUS 3RT10 16-2AP CONTACTOR	1	1	-	1			
12	Z213007000	CONTACTOR (BOMBA LAVADO)	CONTACTOR (WASH PUMP)	1	1	1	1			

MOD.		LAVAVAJILLAS COMPACTOS COMPACT DISHWASHERS		ZONA	CONJUNTO FUNCIONAL ELECTRICO FUNCTIONAL ELECTRIC UNIT				PLANO	C-2128
ITEM	CODIGO	DENOMINACION	TEXTO	FI-160	FI-200	ECO-160	ECO-200		NOTAS	
13	Z683087000	CONTACTOR 3TF20 01-3AL2 230	CONTACTOR 3TF20 01-3AL2 230	1	1	1	1			
14	Z213007000	CONTACTOR (AVANCE 1)	CONTACTOR (ADVANCE 1)	2	2	2	2			
15	P663014000	SECCIONADOR 3P.125A SIEMENS	SECTIONATOR 3P.125A SIEMENS	1	1				INTRODUCIDO 01.12.09	
S/Nº	P663015000	BLOQUE 4º P. SECCIONAD. 125A S.	SECTION. 125A 4º POLO SIEMENS	1	1				INTRODUCIDO 01.12.09	
15	P683039000	SECCIONADOR 4P.63A SIEMENS	SECTIONATOR 4P.63A SIEMENS			1	1		INTRODUCIDO 01.12.09	
16	Z313040000	SOPORTE CUADRO ELECTRICO	ELECTRIC PANEL SUPPORT	1	1	1	1			
17	X183011000	CONTACTOR 3RT1024-1AN20 230	CONTACTOR 3RT1024-1AN20 230	4	4	4	4			
18	Z203050000	CONTAC. SIRIUS (EXTRAC-COND.)	CONTACT. SIRIUS (EXTRAC-CON)	1	1	1	1			
19	Z203050000	CONTACTOR. SIRIUS (SECADO)	CONTACTOR. SIRIUS (DRYER)	1	1	1	1			
20	Z123022000	TEMPORIZA. SYRELEC TRU INICIO	TIMER . SYRELEC TRU START	1	1	1	1			
21	Z123022000	TEMPORI. SYRELEC TRU SECADO	TIMER . SYRELEC TRU DRYER	1	1	1	1			
22	Z213007000	CONTACTOR (PUERTA)	CONTACTOR (DOOR)	1	1	1	1			
23	X183011000	CONTACTOR (RESISTEC.SECADO)	CONTACTOR (DRYER RESIST.)	1	1	1	1			
24	Z312966000	SOPORTE PRENSAESTOPAS	STUFFING BOX SUPPORT	1	1	1	1			
25	R033002000	PRENSA ESTOPAS	STUFFING BOX	1	1	1	1			
26	Z103070000	BLOQ. AUX. 3RH1921-1CA10	AUX. BLOCK 3RH1921-1CA10	1	1	1	1			
27	R073005000	BORNAS PORTA FUSIBLES	FUSE HOLDER TERMINALS	2	2	2	2			
	P184011000	CARTUCHO FUSIBLE 4A	FUSE CARTRIDGE 4A	2	2	2	2			
	Z103029000	BORNE PAS WDU 2.5 10200-0	TERMINAL PAS WDU 2.5 10200-0	6	6	6	6			
	Z263303000	TOPE FINAL	END STOP	2	2	2	2			
28	R143011000	BORNA WDU-70/N REF.951219	TERMINAL WDU-70/N REF.951219	3	3				ELIMINADO 01.12.09	
	R263003000	BORNA PASO 35MM	THROUGH TERMINAL 35MM			3	3		ELIMINADO 01.12.09	
	P453026000	BORNE TIER 10 WPE-10103.O	TERMINAL TIER 10 WPE-10103.O	1	1	1	1			
	R673010000	BORNA PASO AZUL 35MM	THROUGH TERMINAL BLUE 35MM	1	1	1	1			
	Z103035000	BORNA TIERRA 35MM	EARTH TERMINAL 35MM	1	1	1	1			
	Z683068000	SEÑALIZ.DEK-6WEIDMULLER	SIGNS DEK-6WEIDMULLER	1	1	1	1			
	Z683096000	TOPE FINAL WEW35 10590.0	END STOP WEW35 10590.0	1	1	1	1			
	Z513083000	BORNE DISTRIBUIDOR 70 MM2	DISTRIBUI. 70 MM2 TERMINAL	1	1				INTRODUCIDO 01.12.09	
	Z273083000	BORNE DISTRIBUIDOR 35 MM2	DISTRIBUI. 35 MM2 TERMINAL			3	3		INTRODUCIDO 01.12.09	



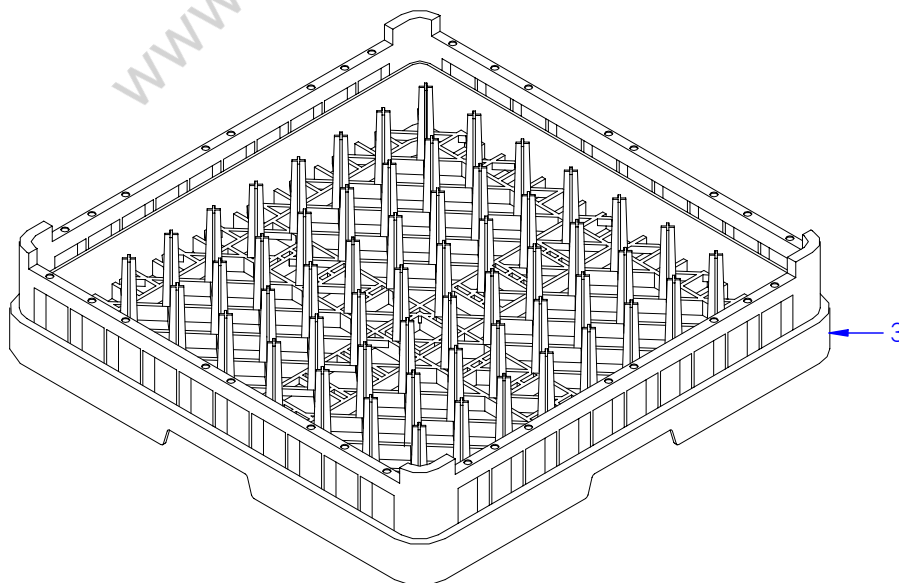
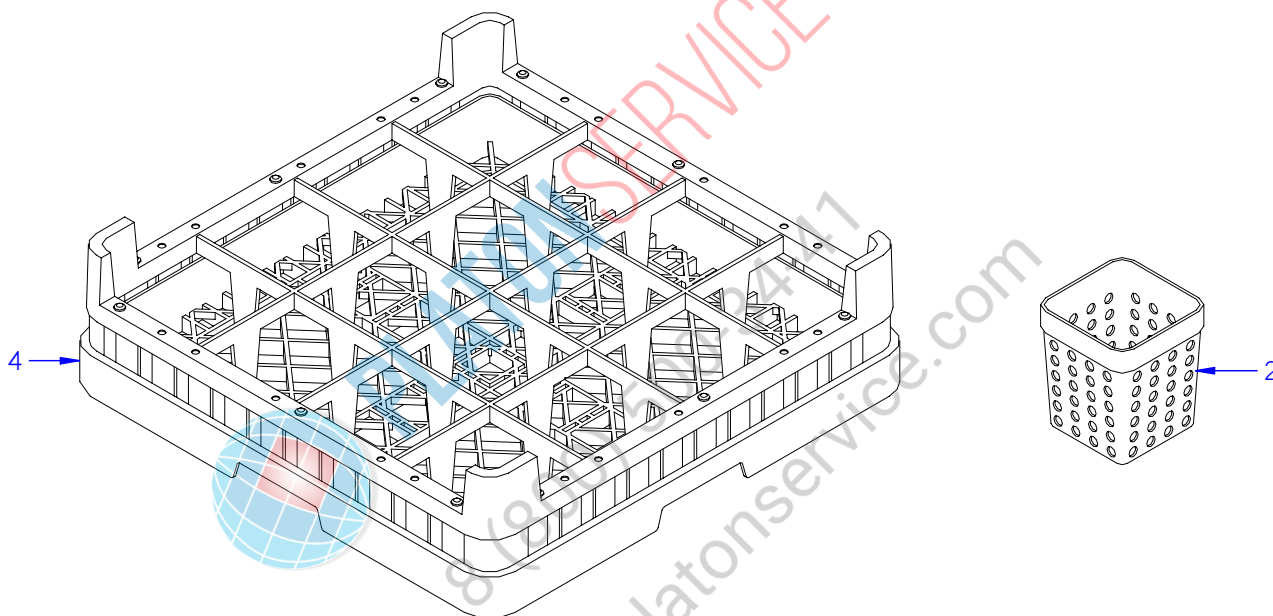
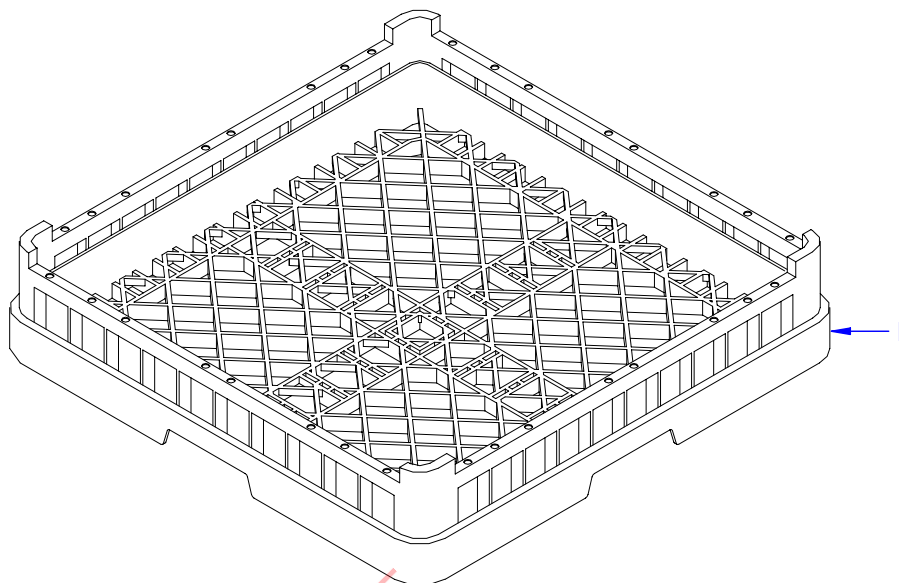
ITEM MARCADO EN COLOR = REPUESTO RECOMENDADO
 COLOURED ITEM = RECOMMENDED SPARE PART

N plano	Firma	Fecha	Aparato	CONJUNTO FUNCIONAL ELECTRICO	Lamina	Fagor Industrial S.Coop. FAGOR
C-2129	<i>(Signature)</i>	2008-10	LAVAVAJILLAS COMPACTOS W		10	Oñate

MOD.		LAVAVAJILLAS COMPACTOS COMPACT DISHWASHERS		ZONA	CONJUNTO FUNCIONAL ELECTRICO FUNCTIONAL ELECTRIC UNIT			PLANO	C-2129
ITEM	CODIGO	DENOMINACION	TEXTO	FI-200 W					NOTAS
1	Z273045000	TAPA VENTILADOR W	FAN COVER W	1					
	Z273051000	JUNTA LAT. TAPA VENTILADOR W	FAN COVER SIDE JOINT W	2					
	Z273052000	JUNTA SUP. TAPA VENTILADOR W	FAN COVER UPPER JOINT W	1					
	Q232040000	ARANDELA A6	WASHER A6	4					
	Q212040000	TUERCA SOMBRERETE M6	COWL NUT M6	4					
2	Z273041000	CUBIERTA CUADRO ELECTRIC. W	ELECTRIC PANEL COVER W	1					ELIMINADO 01.12.09
2	Z273025000	CUBIERTA CUADRO ELECTRIC. W	ELECTRIC PANEL COVER W	1					INTRODUCIDO 01.12.09
	Z273049000	JUNTA FRONTAL CUADRO ELE. W	ELEC PANEL FRONT JOINT W	2					
	Z273047000	JUNTA LATERAL CUADRO ELE. W	ELEC PANEL SIDE JOINT W	2					
3	Z103066000	VENTILADOR 230V.50-60HZ	FAN 230V.50-60HZ	1					
4	Z263002000	VAINA INDICADOR COMPLETA	COMPLETE INDICATOR SHELL	1					
	Q307048000	JUNTA TORICA 9,128x16,18x3,53	O-RING 9.128x16.18x3.53	1					
	Q162070000	TUERCA EXAGONAL M12	HEXAGONAL NUT M12	1					
5	Z313048000	TAPA CUADRO ELECTRICO	ELECTRIC PANEL COVER	1					ELIMINADO 01.12.09
5	Z313093000	TAPA CUADRO ELECTRICO	ELECTRIC PANEL COVER	1					INTRODUCIDO 01.12.09
	Q152017000	TORNILLO AMARRE M6X13 A304	FASTENING BOLT M6X13 A304	4					
6	Z312941000	PRENSA ESTOPAS PG-42	STUFFING BOX PG-42	1					
7	Z273043000	TAPA TERMINAL BOX	BOX TERMINAL COVER	1					
	Q221343000	REMACHE EXAGONAL M6	HEXAGONAL RIVET M6	5					
8	Z273042000	TERMINAL BOX	BOX TERMINAL	1					
	Z273053000	JUNTA W LATERAL TERMINAL BOX	BOX TERMINAL SIDE JOINT W	2					
	Z273054000	JUNTA W LAT INF. TERMINAL BOX	BOX TERMINAL LOW. SIDE JOINT	1					
	Z273055000	JUNTA W FRONT INF. TERMINAL B	BOX TERMINAL B LOW. FRONT J	2					
9	Z273067000	FRENTE CUADRO ELECTRICO W	ELECTRIC PANEL FRONT W	1					ELIMINADO 01.12.09
9	Z273068000	FRENTE CUADRO ELECTRICO W	ELECTRIC PANEL FRONT W	1					INTRODUCIDO 01.12.09
	Z273050000	JUNTA W FRENTE CUADRO	PANEL FRONT JOINT W	1					
	Z273048000	JUNTA W TRAS CUADRO ELEC	ELECT. PANEL REAR JOINT W	1					
10	Z273005000	COMMUTADOR DE FUNCIONES	FUNCTIONS SWITCH	1					
	Z602906000	CASQUILLO	BUSHING	2					
11	Z203069000	BOTON DE MANDO	CONTROL BUTTON	1					ELIMINADO 01.12.09
11	Z513024000	BOTON DE MANDO	CONTROL BUTTON	1					INTRODUCIDO 01.12.09

MOD.		LAVAVAJILLAS COMPACTOS COMPACT DISHWASHERS		ZONA	CONJUNTO FUNCIONAL ELECTRICO FUNCTIONAL ELECTRIC UNIT			PLANO	C-2129
ITEM	CODIGO	DENOMINACION	TEXTO	FI-200 W				NOTAS	
12	Z313080000	PILOTO AMBAR Ø18	AMBAR PILOT LIGHT Ø18	2				ELIMINADO 01.02.2013	
12	12024254	PILOTO AMBAR 41227000A4	AMBAR PILOT 41227000A4	2				INTRODUCIDO 01.02.2013	
13	Z298401000	EMBELLECEDOR ADHES. FI-200 W	ADHES. TRIM FI-200 W	1					
13	Z273070000	EMBELLECEDOR ADHES. FI-200 W	ADHES. TRIM FI-200 W	1				ELIMINADO 01.12.09	
14	Z273060000	TERMOMETRO W NSF	THERMOMETER W NSF	2				INTRODUCIDO 01.12.09	
15	Z213007000	CONTACTOR (BOMBA LAVADO)	CONTACTOR (WASH PUMP)	1					
16	Z683087000	CONTACTOR 3TF20 01-3AL2 230	CONTACTOR 3TF20 01-3AL2 230	1					
17	Z213007000	CONTACTOR (AVANCE 1)	CONTACTOR (ADVANCE 1)	2					
18	P663014000	SECCIONADOR 3P.125A SIEMENS	SECTIONATOR 3P.125A SIEMENS	1				INTRODUCIDO 01.12.09	
S/Nº	P663015000	BLOQUE 4º P. SECCIONAD. 125A S.	SECTION. 125A 4º POLO SIEMENS	1				INTRODUCIDO 01.12.09	
19	R143011000	BORNA WDU-70/N REF.951219	TERMINAL WDU-70/N REF.951219	3					
	Z103035000	BORNA TIERRA 35MM	EARTH TERMINAL 35MM	1					
	Z683096000	TOPE FINAL WEW35 10590.0	END STOP WEW35 10590.0	1					
	R663055000	GUIA CONTACTOR L-120	CONTACTOR GUIDE L-120	1					
	Z273044000	SOPORTE GUIA CONTACTOR	CONTACTOR GUIDE SUPPORT	1					
	Q411304000	REMACHE AVIBULB Ø4,8	AVIBULB RIVET Ø4.8	2					
20	Z313040000	SOPORTE CUADRO ELECTRICO	ELECTRIC PANEL SUPPORT	1					
21	X183011000	CONTACTOR 3RT1024-1AN20 230	CONTACTOR 3RT1024-1AN20 230	4					
22	Z213007000	CONTACTOR (PUERTA)	CONTACTOR (DOOR)	1					
23	R073005000	BORNAS PORTA FUSIBLES	FUSE HOLDER TERMINALS	2					
	Z273059000	FUSIBLE 5 A UL	FUSE 5 A UL	2					
	Z103029000	BORNE PAS WDU 2.5 10200-0	TERMINAL PAS WDU 2.5 10200-0	6					
	Z263303000	TOPE FINAL	END STOP	2					
24	R143011000	BORNA WDU-70/N REF.951219	TERMINAL WDU-70/N REF.951219	3				ELIMINADO 01.12.09	
	Z513083000	BORNE DISTRIBUIDOR 70 MM2	DISTRIBUI. 70 MM2 TERMINAL	1				INTRODUCIDO 01.12.09	
	P453026000	BORNE TIER 10 WPE-10103.O	TERMINAL TIER 10 WPE-10103.O	1					
	Z683096000	TOPE FINAL WEW35 10590.0	END STOP WEW35 10590.0	1					

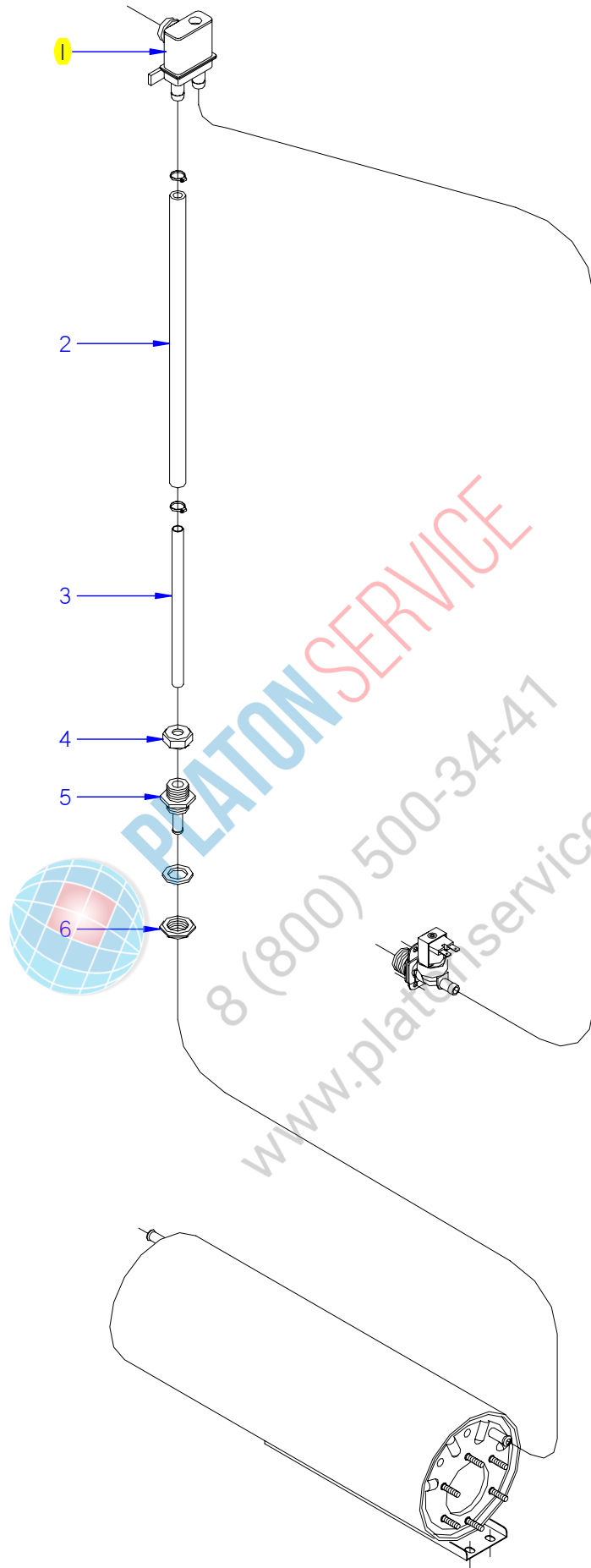
MOD.		LAVAVAJILLAS COMPACTOS COMPACT DISHWASHERS		ZONA	VARIOS / VARIOUS					PLANO	
ITEM	CODIGO	DENOMINACION	TEXTO	FI-160	FI-200	ECO-160	ECO-200	FI-200 W			NOTAS
	Z276111000	FOLLETO DE INSTRUCCIONES FI	INSTRUCTION LEAFLET FI	1	1	-	-	-			
	Z286110000	FOLLETO INSTRUCCIONES ECO	INSTRUCTION LEAFLET ECO	-	-	1	1	-			
	Z276112000	FOLLETO INSTRUCCION. FI-200W	INSTRUCTION LEAFLET FI-200W	-	-	-	-	1			
	Z273018000	ESQUEMA TEORICO ADHESIVO FI	THEOR. DIAGRAM LABEL FI	1	1	-	-	-			PLANO HC-17294
	Z283020000	ESQUEMA TEORICO ADHESI. ECO	THEORETICAL DIAGRAM LABEL	-	-	1	1	-			PLANO HC-17304
	Z273058000	ESQUEMA TEORICO ADHESIVO W	THEOR. DIAGRAM LABEL W	-	-	-	-	1			PLANO HC-17756
	Z313070000	LEYENDA ESQUEMAS COMPACTO	COMPACT DIAGRAM LEGEND	1	1	1	1	1			PLANO HC-17259
	Z273034000	ESQUEMA MONTAJE COMPACTO	COMPACT ASSEMBLY DIAGRAM	1	1	1	1	1			PLANO HD-16280
	Z275080000	MONTAJE RODAMIEN. ARRASTRE	DRIVE BEARING ASSEMBLY	1	1	1	1	1			PLANO HC-17217
	Z273030000	INSTALACION ELECTRICA BASE	ELECTRIC INSTALLATION BASE	1	1	1	1	-			
	Z273056000	INSTALACION ELECTRICA W BASE	ELECTRIC INSTALLATION W BAS	-	-	-	-	1			
	Z273031000	INSTALAC. ELECTRICA CALDERÍN	BOILER ELECTRIC INSTALLATIO	1	1	-	-	-			
	Z273057000	INSTAL. ELECTRICA W CALDERÍN	BOILER W ELECTRIC INSTALLAT	-	-	-	-	1			
	Z273032000	INSTALACION VELOCIDAD II	SPEED INSTALLATION II	-	1	-	1	1			
	Z323001000	CABLEADO ECO-280	WIRING ECO-280	-	-	1	1	-			
	Z718416000	CABLEADO ELECTROVALVULA W	SOLENOID VALVE WIRING W	-	-	-	-	1			
	Z273016000	MICRO FIN DE CARRERA	LIMIT SWITCH MICRO	1	1	1	1	1			
	Z273085000	CABLEADO SECCIONADOR 125A	SECTIONATOR 125A WIRING	1	1	-	-	1			INTRODUCIDO 01.12.09
	Z273084000	CABLEADO SECCIONADOR 63A	SECTIONATOR 63A WIRING	-	-	1	1	-			INTRODUCIDO 01.12.09



ITEM MARCADO EN COLOR = REPUESTO RECOMENDADO
 COLOURED ITEM = RECOMMENDED SPARE PART

N plano	Firma	Fecha	Aparato	CESTILLOS	Lamina	Fagor Industrial S.Coop. FAGOR
C-2130	<i>[Signature]</i>	2008-10	LAVAVAJILLAS COMPACTOS	11	Oñate	

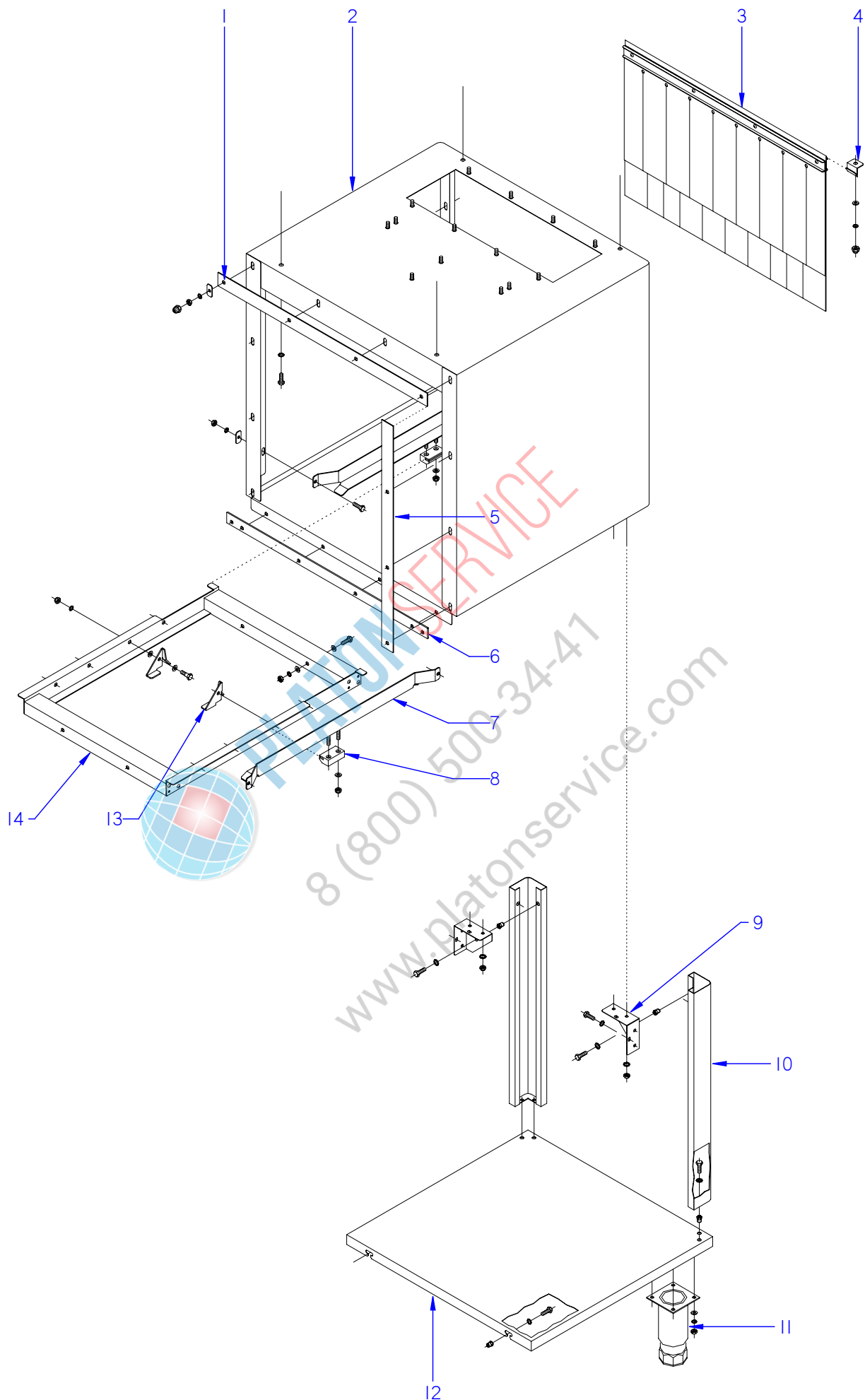
MOD.	LAVAVAJILLAS COMPACTOS COMPACT DISHWASHERS	ZONA	CESTILLOS / BASKETS	PLANO	C-2130							
ITEM	CODIGO	DENOMINACION	TEXTO	FI-160 ECO-160	FI-200 ECO-200	FI-200W					NOTAS	
1	Z655301000	CESTILLO BASE CT-10	BASE BASKET CT-10	2	2							
2	Z655314000	CESTILLO CUBIERTOS	CUTLERY BASKET	10	10							ELIMINA. 01.12.09
2	Z275315000	CESTILLO CUBIERTOS	CUTLERY BASKET	1	1							INTROD. 01.12.09
3	Z655302000	CESTILLO PLATOS CP-16-18	PLATE BASKET CP-16-18	2	2	2						
4	Z655316000	CESTILLO CV-16-105	BASKET CV-16-105	1	1	1						



ITEM MARCADO EN COLOR = REPUESTO RECOMENDADO
 COLOURED ITEM = RECOMMENDED SPARE PART

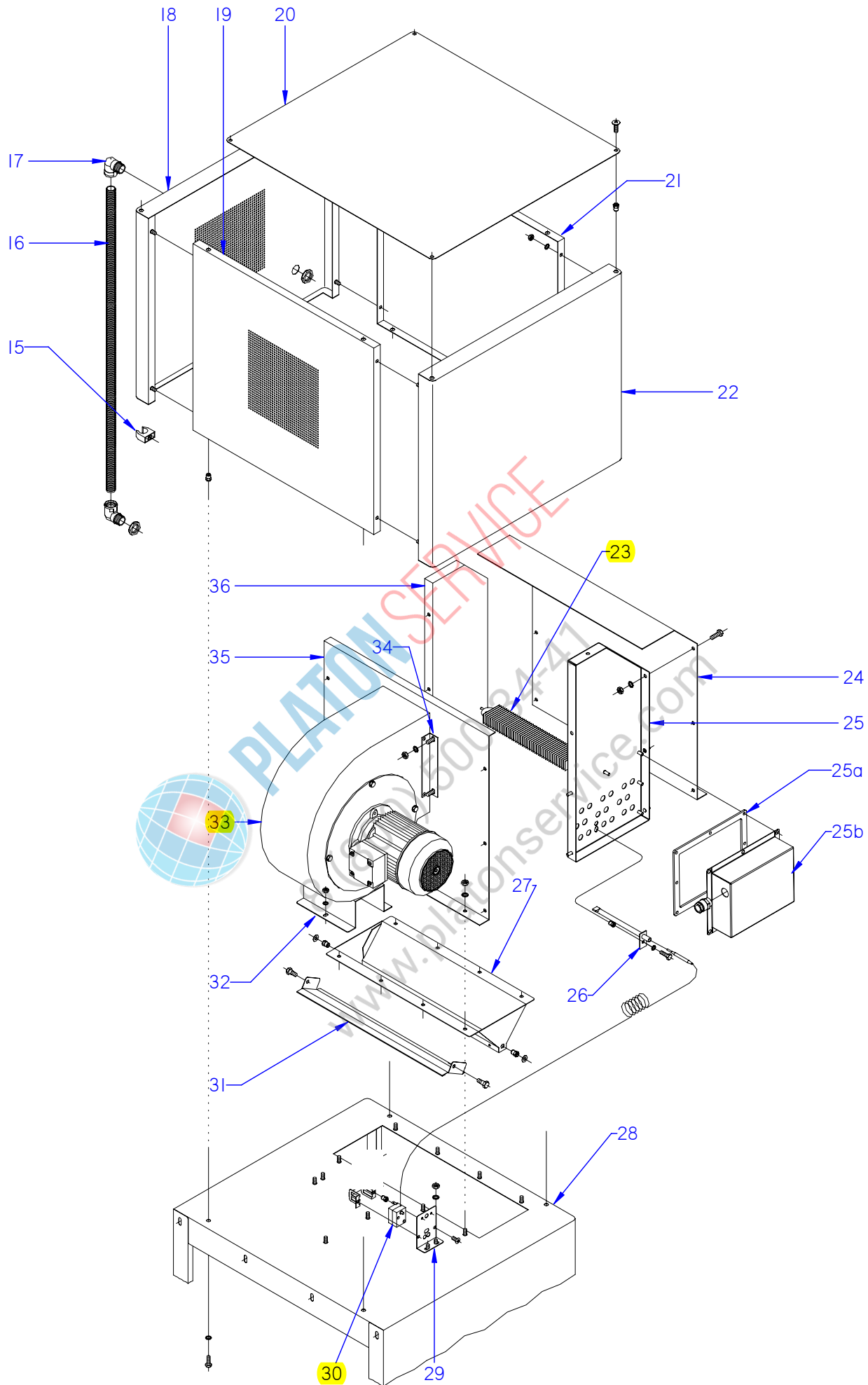
N plano	Firma	Fecha	Aparato	Lamina	Fagor Industrial S.Coop. FAGOR
C-2131	<i>(Signature)</i>	2008-10	VALVULA ANTIRRETORNO LAVAVAJILLAS COMPACTOS A.R.	12	Oñate

MOD.	LAVAVAJILLAS COMPACTOS COMPACT DISHWASHERS		ZONA	VALVULA ANTIRRETORNO / NON-RETURN VALVE			C-2131				
ITEM	CODIGO	DENOMINACION	TEXTO	FI-160 A.R.	FI-200 A.R.						
1	Z231106000	VALVULA ANTIRRETORNO	NON-RETURN VALVE	1	1						
	Z271111000	SOPORTE VALVULA A.R.COMPLETO	COMPLETE VALVE SUPPORT A.R.	1	1						
	Z271110000	SOPORTE INFERIOR A.R.	LOWER SUPPORT A.R.	1	1						
	Z271114000	CUBIERTA A.R.	COVER A.R.	1	1						
2	367690000	TUBO GOMA NEGRA D 17*10	BLACK RUBBER PIPE 17*10	2	2						
	Q881302000	ABRAZADERA 12-20	CLAMP 12-20	4	4						
3	Z711114000	TUBO EMPALME	CONNECTION PIPE	2	2						
4	Q223107000	TUERCA M.20x2.5	NUT M.20X2.5	2	2						
5	Z711904000	PASAMUROS ACLARADO	RINSE BUSHING	2	2						
	Q307032000	JUNTA 32X21X3	JOINT 32X21X3	2	2						
6	Q223023000	TUERCA EXAGONAL 5-8 LATON	HEX NUT 5-8 BRASS	2	2						



ITEM MARCADO EN COLOR = REPUESTO RECOMENDADO
 COLOURED ITEM = RECOMMENDED SPARE PART

N plano	Firma	Fecha	Aparato	TUNEL DE SECADO	Lamina	Fagor Industrial S.Coop. FAGOR
C-2132	<i>(Signature)</i>	2008-10	LAVAVAJILLAS COMPACTOS		13	Oñate



ITEM MARCADO EN COLOR = REPUESTO RECOMENDADO
 COLOURED ITEM = RECOMMENDED SPARE PART

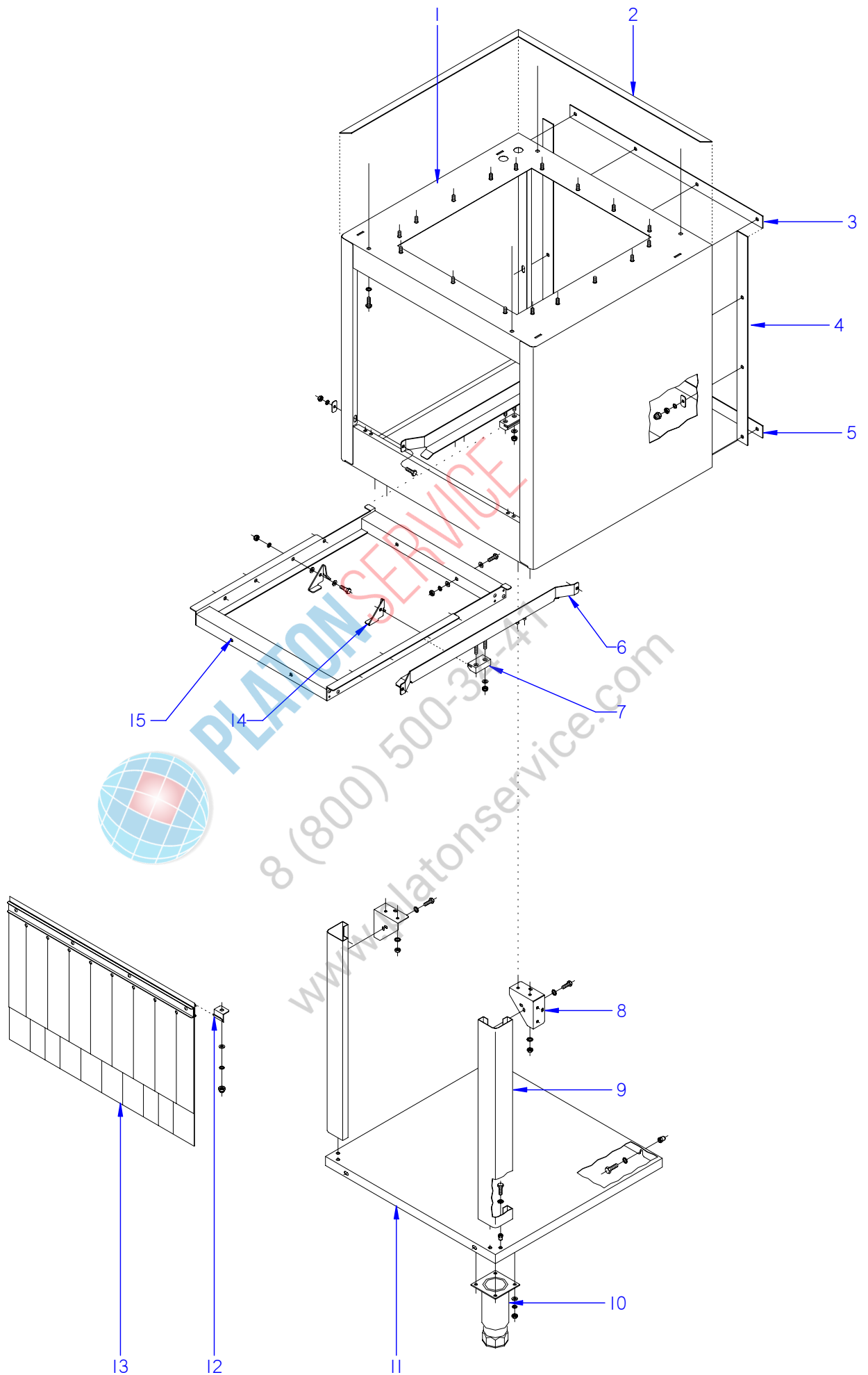
N plano	Firma	Fecha	Aparato	SECADO	Lamina	Fagor Industrial S.Coop. FAGOR
C-2133	<i>(Signature)</i>	2008-10	LAVAVAJILLAS COMPACTOS		14	Oñate

MOD.		LAVAVAJILLAS COMPACTOS COMPACT DISHWASHERS		ZONA	TUNEL DE SECADO / DRYING TUNNEL				PLANO	C-2132 C-2133	
ITEM	CODIGO	DENOMINACION	TEXTO	TUNEL DE SECADO						NOTAS	
1	Z276206000	JUNTA SUPERIOR COMPACTO**	COMPACT UPPER JOINT**	1							
	Q302022000	ARANDELA 16X6X1.2 A.304	WASHER 16X6X1.2 A.304	4							
	Q262040000	ARANDELA GROW. A6 A304	WASHER GROW. A6 A304	4							
	Q162040000	TUERCA EXAGONAL M6	HEXAGONAL NUT M6	12							
2	Z276301000	TUNEL SECADO SOLDADO	WELDED DRYER TUNNEL	1							
3	Z276429000	CORTINA INTERIOR COMPLETA	COMPLETE INTERIOR CURTAIN	1							
4	Z270326000	SUJECION CORTINA	CURTAIN FASTENING	2							
	Q262030000	ARANDELA GROW. A5 A.304	WASHER GROW. A5 A.304	2							
	Q232040000	ARANDELA A6	WASHER A6	2							
	Q212031000	TUERCA SOMBRERETE M5	COWL NUT M5	2							
5	Z276208000	JUNTA LATERAL COMPACTO**	COMPACT SIDE JOINT**	2							
	Q302022000	ARANDELA 16X6X1.2 A.304	WASHER 16X6X1.2 A.304	8							
	Q262040000	ARANDELA GROW. A6 A304	WASHER GROW. A6 A304	8							
	Q162040000	TUERCA EXAGONAL M6	HEXAGONAL NUT M6	8							
6	Z276207000	JUNTA INFERIOR COMPACTO**	COMPACT LOWER JOINT **	1							
	Q302022000	ARANDELA 16X6X1.2 A.304	WASHER 16X6X1.2 A.304	4							
	Q262040000	ARANDELA GROW. A6 A304	WASHER GROW. A6 A304	4							
	Q162040000	TUERCA EXAGONAL M6	HEXAGONAL NUT M6	4							
7	Z276309000	GUIA DE SECADO COMPLETO	COMPLETE DRYER GUIDE	2							
8	Z275075000	DESlizAMIENTO GUIAS	GUIDE SLIDE	4							
	Q232040000	ARANDELA A6	WASHER A6	8							
	Q222012000	TUERCA AUTOBLOCANTE M6	SELF-LOCKING NUT M6	8							
	Q012042000	TORNILLO EXAGONAL M6X15 A304	HEXAGONAL BOLT M6x15 A304	4							
	Q262040000	ARANDELA GROW. A6 A304	WASHER GROW. A6 A304	4							
	Z310341000	ARANDELA RECTANGULAR	RECTANGULAR WASHER	4							
	Q162040000	TUERCA EXAGONAL M6	HEXAGONAL NUT M6	4							
9	Z276354000	AMARRE PATA	LEG FASTENING	2							
	Q262040000	ARANDELA GROW. A6 A304	WASHER GROW. A6 A304	4							
	Q162040000	TUERCA EXAGONAL M6	HEXAGONAL NUT M6	4							
10	Z276395000	PATA TUNEL SECADO COMPLETA	COMPLETE DRYER TUNNEL LEG	2							

MOD.		LAVAVAJILLAS COMPACTOS COMPACT DISHWASHERS		ZONA	TUNEL DE SECADO / DRYING TUNNEL				PLANO	C-2132 C-2133
ITEM	CODIGO	DENOMINACION	TEXTO	TUNEL DE SECADO					NOTAS	
11	X260151000	PATA REGULABLE	ADJUSTABLE LEG	2						
	Q302022000	ARANDELA 16X6X1.2 A.304	WASHER 16X6X1.2 A.304	8						
	Q162040000	TUERCA EXAGONAL M6	HEXAGONAL NUT M6	8						
12	Z276398000	BANDEJA TUNEL SECADO COMPL.	COMPL. DRYER TUNNEL TRAY	1					ELIMINADO 19.12.13	
12	12098652	BANDEJA TUNEL SECADO COMPL.	COMPL. DRYER TUNNEL TRAY	1					INTRODUCIDO 19.12.13	
	Q221342000	REMACHE EXAGONAL M5	HEXAGONAL RIVET M5	8						
	Q242030000	ARANDELA ABANICO A5 A.304	FAN WASHER A5 A.304	8						
	Q012031000	TORNILLO EXAGONAL M5X10 A304	HEXAGONAL BOLT M5x10 A304	8						
13	Z275077000	UÑA ARRASTRE IZQUIERDA LASER	LASER LEFT DRAG CLAW	5						
S/Nº	Z275078000	UÑA ARRASTRE DERECHA LASER	LASER RIGHT DRAG CLAW	5						
	Q232050000	ARANDELA A8	WASHER A8	20						
	Q152046000	TORNILLO EXAGON. CON CUELLO	HEXAGONAL BOLT. WITH NECK	10						
	Q232040000	ARANDELA A6	WASHER A6	10						
	Q222012000	TUERCA AUTOBLOCANTE M6	SELF-LOCKING NUT M6	10						
14	Z276311000	SOPORTE UÑA SECADO COMPL.	COMPL. DRYER CLAY SUPPORT	1						
	Q012042000	TORNILLO EXAGONAL M6X15 A304	HEXAGONAL BOLT M6x15 A304	2						
	Q232050000	ARANDELA A8	WASHER A8	4						
	Q232040000	ARANDELA A6	WASHER A6	2						
	Q222012000	TUERCA AUTOBLOCANTE M6	SELF-LOCKING NUT M6	2						
15	Z316354000	ABRAZADERA DE PRESION	PRESSURE CLAMP	2						
16	3712300000	TUBO PG21 0233.204.023	PIPE PG21 0233.204.023	1						
17	Z703006000	RACORD A 90 SFWO-P213T	CONNECTION A 90 SFWO-P213T	2					ELIMINADO 30.03.09	
17	Z276307000	CODO CURVADO 90º VBD-P213GT	BENDING ELBOW 90º VBD-P213GT	2					INTRODUCIDO 30.03.09	
	R023025000	CONTRATUERCA (GAES)	COUNTERNUT (GAES)	2						
18	Z276361000	POSTERIOR CUBIERTA COMPLET.	COMPLETE REAR COVER	1					ELIMINADO 16.12.13	
18	12098292	POSTERIOR CUBIERTA COMPLET.	COMPLETE REAR COVER	1					INTRODUCIDO 16.12.13	
19	Z276345000	LATERAL CUBIERTA	SIDE COVER	1						
20	Z276346000	TAPA CUBIERTA	COVER LID	1						
	Q162040000	TUERCA EXAGONAL M6	HEXAGONAL NUT M6	16						
	Q152017000	TORNILLO AMARRE M6X13 A304	FASTENING BOLT M6X13 A304	4						
	Q221343000	REMACHE EXAGONAL M6	HEXAGONAL RIVET M6	8						

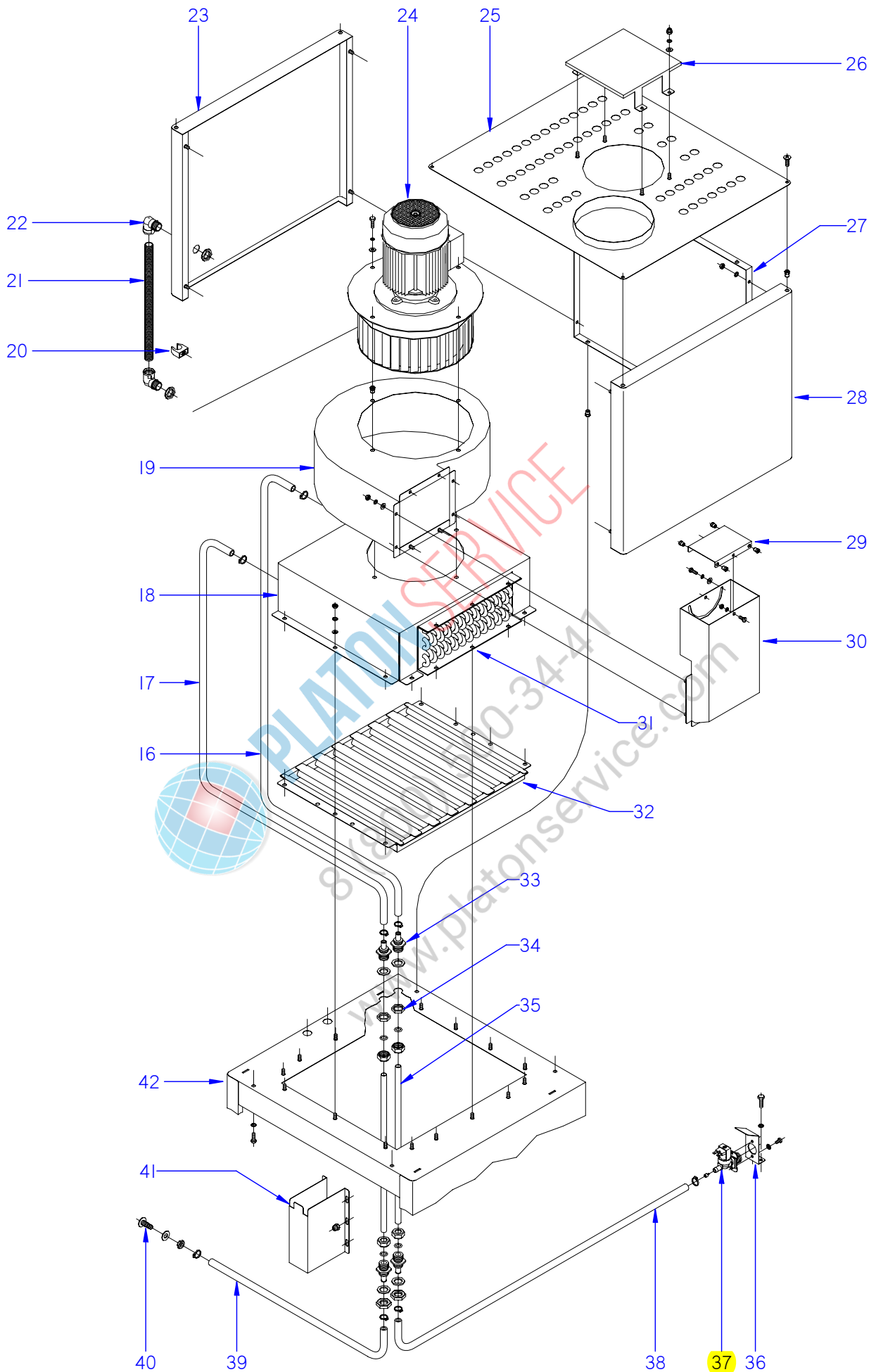
MOD.		LAVAVAJILLAS COMPACTOS COMPACT DISHWASHERS		ZONA	TUNEL DE SECADO / DRYING TUNNEL				PLANO	C-2132 C-2133	
ITEM	CODIGO	DENOMINACION	TEXTO	TUNEL DE SECADO						NOTAS	
21	Z276751000	LATERAL CUBIERTA	SIDE COVER	4							
22	Z276342000	ANTERIOR CUBIERTA COMPLETA	COMPLET E FRONT COVER	1							
23	Z276391000	RESISTENCIA ALETAS 1500W 230V	FIN RESISTOR 1500W 230V	6							
	Q221305000	TUERCA EXG. AUTO M4 ZINCADA	HEXAG. NUT AUTO M4 ZINC-COA	12							
24	Z276326000	LATERAL IZDO. CAJA RESISTENC.	LEFT SIDE RESISTOR BOX	1						ELIMINADO 04.01.10	
24	Z276340000	LATERAL IZDO. CAJA RESISTENC.	LEFT SIDE RESISTOR BOX	1						INTRODUCIDO 04.01.10	
25	Z276329000	FRONTAL CAJA RESISTENCIA	RESISTOR BOX FRONT	1						ELIMINADO 04.01.10	
25	Z276335000	FRONTAL CAJA RESISTENCIA	RESISTOR BOX FRONT	1						INTRODUCIDO 04.01.10	
25a	Z276347000	JUNTA SECADO 600	DRYING 600 JOINT	1						INTRODUCIDO 04.01.10	
25b	Z276348000	CAPERUZA SECADO 600	DRYING 600 CAP	1						INTRODUCIDO 04.01.10	
26	Z276331000	VAINA TS. COMPLETA	COMPLETE TS. SHELL	1							
	Q012042000	TORNILLO EXAGONAL M6X15 A304	HEXAGONAL BOLT M6x15 A304	1							
	Q221343000	REMACHE EXAGONAL M6	HEXAGONAL RIVET M6	1							
27	Z276315000	SALIDA SECADO SOLDADO	WELDED DRYER OUTPUT	1							
	Q262040000	ARANDELA GROW. A6 A.304	WASHER GROW. A6 A.304	8							
	Q162040000	TUERCA EXAGONAL M6	HEXAGONAL NUT M6	16							
28	Z276301000	TUNEL SECADO SOLDADO	WELDED DRYER TUNNEL	1							
29	Z203047000	SOPORTE TERMOSTATOS	THERMOSTAT SUPPORT	1							
	Q232040000	ARANDELA A6	WASHER A6	2							
	Q162040000	TUERCA EXAGONAL M6	HEXAGONAL NUT M6	2							
	Q152024000	TORNILLO AVELLANADO M4X8	COUNTERSUNK BOLT M4x8	2							
30	Z276365000	TERMOSTATO 150°C	THERMOSTAT 150°C	1							
31	Z276318000	TAPA SALIDA SECADO	DRYER OUTPUT LID	1							
	Q302022000	ARANDELA 16X6X1.2 A.304	WASHER 16X6X1.2 A.304	2							
	Q152046000	TORNILLO EXAGON. CON CUELLO	HEXAGONAL BOLT. WITH NECK	2							
32	Z276394000	SOPORTE VENTILADOR	FAN BRACKET	1							
	Q082005000	TORNILLO CHAP. Ø4,2X13 4.2X13	PLATE BOLT Ø4.2X13 4.2X13	4							
	Q262040000	ARANDELA GROW. A6 A.304	WASHER GROW. A6 A.304	6							
	Q162040000	TUERCA EXAGONAL M6	HEXAGONAL NUT M6	6							
33	Z316412000	VENTILADOR CENTRIFUGO	SPIN FAN	1							
34	Z276375000	AMARRE VENTILADOR	FAN FASTENING	2							

MOD.		LAVAVAJILLAS COMPACTOS COMPACT DISHWASHERS		ZONA	TUNEL DE SECADO / DRYING TUNNEL					PLANO	C-2132 C-2133
ITEM	CODIGO	DENOMINACION	TEXTO	TUNEL DE SECADO						NOTAS	
35	Z276376000	LATERAL DCHO. CAJA RESISTEN.	RIGHT SIDE RESIST. BOX	1						ELIMINADO 04.01.10	
35	Z276339000	LATERAL DCHO. CAJA RESISTEN.	RIGHT SIDE RESIST. BOX	1						INTRODUCIDO 04.01.10	
36	Z276330000	POSTERIOR CAJA RESISTENCIA	REAR RESISTOR BOX	1						ELIMINADO 04.01.10	
36	Z276337000	POSTERIOR CAJA RESISTENCIA	REAR RESISTOR BOX	1						INTRODUCIDO 04.01.10	
	Q012042000	TORNILLO EXAGONAL M6X15 A304	HEXAGONAL BOLT M6x15 A304	14							
	Q262040000	ARANDELA GROW. A6 A.304	WASHER GROW. A6 A.304	14							
	Q221343000	REMACHE EXAGONAL M6	HEXAGONAL RIVET M6	14							
S/Nº	Z316381000	CABLEADO SECADO	DRYER WIRING	1							
S/Nº	Z316382000	CABLEADO AUXILIAR SECADO	AUX. DRYER WIRING	1							



ITEM MARCADO EN COLOR = REPUESTO RECOMENDADO
 COLOURED ITEM = RECOMMENDED SPARE PART

N plano	Firma	Fecha	Aparato	TUNEL CONDENSADOR DE VAHOS	Lamina	Fagor Industrial S.Coop. FAGOR
C-2134	<i>name (ben)</i>	2008-10	LAVAVAJILLAS COMPACTOS	15	Oñate	



ITEM MARCADO EN COLOR = REPUESTO RECOMENDADO
 COLOURED ITEM = RECOMMENDED SPARE PART

N plano	Firma	Fecha	Aparato	CONDENSADOR DE VAHOS	Lamina	Fagor Industrial S.Coop. FAGOR
C-2135	<i>[Signature]</i>	2008-10	LAVAVAJILLAS COMPACTOS		16	Oñate

MOD.		LAVAVAJILLAS COMPACTOS COMPACT DISHWASHERS		ZONA	TUNEL CONDENSADOR DE VAHOS STEAM CONDENSER TUNNEL		PLANO	C-2134 C-2135	
ITEM	CODIGO	DENOMINACION	TEXTO	TUNEL COND. DE VAHOS					NOTAS
1	Z276732000	TUNEL CONDENSADOR DE VAHOS	COMP STEAM CONDENSOR TUN	1					
	Z276520000	PROTECTOR SUPERIOR SOLDAD.	WELDED UPPER PROTECTOR	1					
2	Z270334000	PERFIL	PROFILE	4					
3	Z276206000	JUNTA SUPERIOR COMPACTO**	COMPACT UPPER JOINT**	1					
4	Z276208000	JUNTA LATERAL COMPACTO**	COMPACT SIDE JOINT**	2					
5	Z276207000	JUNTA INFERIOR COMPACTO**	COMPACT LOWER JOINT **	1					
	Q302022000	ARANDELA 16X6X1.2 A.304	WASHER 16X6X1.2 A.304	12					
	Q262040000	ARANDELA GROW. A6 A304	WASHER GROW. A6 A304	12					
	Q162040000	TUERCA EXAGONAL M6	HEXAGONAL NUT M6	12					
	Q212040000	TUERCA SOMBRERETE M6	COWL NUT M6	10					
6	Z276309000	GUIA DE SECADO COMPLETO	COMPLETE DRYER GUIDE	2					
7	Z275075000	DESlizAMIENTO GUIAS	GUIDE SLIDE	4					
	Q232040000	ARANDELA A6	WASHER A6	8					
	Q222012000	TUERCA AUTOBLOCANTE M6	SELF-LOCKING NUT M6	8					
	Q012042000	TORNILLO EXAGONAL M6X15 A304	HEXAGONAL BOLT M6x15 A304	4					
	Q262040000	ARANDELA GROW. A6 A304	WASHER GROW. A6 A304	4					
	Z310341000	ARANDELA RECTANGULAR	RECTANGULAR WASHER	4					
	Q162040000	TUERCA EXAGONAL M6	HEXAGONAL NUT M6	4					
8	Z276354000	AMARRE PATA	LEG FASTENING	2					
	Q262040000	ARANDELA GROW. A6 A304	WASHER GROW. A6 A304	4					
	Q162040000	TUERCA EXAGONAL M6	HEXAGONAL NUT M6	4					
9	Z276395000	PATA TUNEL SECADO COMPLETA	COMPLETE DRYER TUNNEL LEG	2					
10	X260151000	PATA REGULABLE	ADJUSTABLE LEG	2					
	Q302022000	ARANDELA 16X6X1.2 A.304	WASHER 16X6X1.2 A.304	8					
	Q262040000	ARANDELA GROW. A6 A.304	WASHER GROW. A6 A.304	8					
	Q162040000	TUERCA EXAGONAL M6	HEXAGONAL NUT M6	8					
11	Z276398000	BANDEJA TUNEL SECADO COMPL.	COMPL. DRYER TUNNEL TRAY	1					ELIMINADO 19.12.13
11	12098652	BANDEJA TUNEL SECADO COMPL.	COMPL. DRYER TUNNEL TRAY	1					INTRODUCIDO 19.12.13
	Q221342000	REMACHE EXAGONAL M5	HEXAGONAL RIVET M5	8					
	Q242030000	ARANDELA ABANICO A5 A.304	FAN WASHER A5 A.304	8					
	Q012031000	TORNILLO EXAGONAL M5X10 A304	HEXAGONAL BOLT M5x10 A304	8					

MOD.		LAVAVAJILLAS COMPACTOS COMPACT DISHWASHERS		ZONA	TUNEL CONDENSADOR DE VAHOS STEAM CONDENSER TUNNEL		PLANO	C-2134 C-2135	
ITEM	CODIGO	DENOMINACION	TEXTO	TUNEL COND. DE VAHOS					NOTAS
12	Z270326000	SUJECION CORTINA	CURTAIN FASTENING	2					
	Q262030000	ARANDELA GROW. A5 A.304	WASHER GROW. A5 A.304	2					
	Q232040000	ARANDELA A6	WASHER A6	2					
13	Z276419000	CORTINA EXTERIOR COMPLETA	COMPLETE EXTERIOR CURTAIN	1					
14	Z275077000	UÑA ARRASTRE IZQUIERDA LASER	LASER LEFT DRAG CLAW	5					
S/Nº	Z275078000	UÑA ARRASTRE DERECHA LASER	LASER RIGHT DRAG CLAW	5					
	Q232050000	ARANDELA A8	WASHER A8	20					
	Q152046000	TORNILLO EXAGON. CON CUELLO	HEXAGONAL BOLT. WITH NECK	10					
	Q232040000	ARANDELA A6	WASHER A6	10					
	Q222012000	TUERCA AUTOBLOCANTE M6	SELF-LOCKING NUT M6	10					
	Z276311000	SOPORTE UÑA SECADO COMPL.	COMPL. DRYER CLAY SUPPORT	1					
	Q012042000	TORNILLO EXAGONAL M6X15 A304	HEXAGONAL BOLT M6x15 A304	2					
	Q232050000	ARANDELA A8	WASHER A8	4					
	Q232040000	ARANDELA A6	WASHER A6	2					
	Q222012000	TUERCA AUTOBLOCANTE M6	SELF-LOCKING NUT M6	2					
16	3676900000	TUBO GOMA NEGRA Ø 17*10	BLACK RUBBER PIPE 17*10	1					
	Q881302000	ABRAZADERA 12-20	CLAMP 12-20	2					
17	3676900000	TUBO GOMA NEGRA Ø 17*10	BLACK RUBBER PIPE 17*10	1					
	Q881302000	ABRAZADERA 12-20	CLAMP 12-20	2					
18	Z276741000	CUBIERTA BATERIA	BATTERY COVER	1					
	Q221343000	REMACHE EXAGONAL M6	HEXAGONAL RIVET M6	4					
	Q262040000	ARANDELA GROW. A6 A.304	WASHER GROW. A6 A.304	12					
	Q162040000	TUERCA EXAGONAL M6	HEXAGONAL NUT M6	12					
19	Z276742000	CUBIERTA VENTOLA COMPLETA	COMPLETE VENTOLA COVER	1					
	Q221343000	REMACHE EXAGONAL M6	HEXAGONAL RIVET M6	8					
20	Z316354000	ABRAZADERA DE PRESION	PRESSURE CLAMP	2					
21	3712300000	TUBO PG21 0233.204.023	PIPE PG21 0233.204.023	1					
22	Z703006000	RACORD A 90 SFWO-P213T	CONNECTION A 90 SFWO-P213T	2					
	R023025000	CONTRATUERCA (GAES)	COUNTERNUT (GAES)	2					
23	Z276752000	POSTERIOR CUBIERTA COMPL.	COMPLET. REAR COVER	1					
24	Z276760000	VENTILADOR CENTRIFUGO	SPIN FAN	1					

MOD.		LAVAVAJILLAS COMPACTOS COMPACT DISHWASHERS		ZONA	TUNEL CONDENSADOR DE VAHOS STEAM CONDENSER TUNNEL		PLANO	C-2134 C-2135	
ITEM	CODIGO	DENOMINACION	TEXTO	TUNEL COND. DE VAHOS					NOTAS
25	Z276756000	TAPA CUBIERTA COMPLETA	COMPLETE COVER LID	1					
	Q152017000	TORNILLO AMARRE M6X13 A304	FASTENING BOLT M6X13 A304	4					
	Q221343000	REMACHE EXAGONAL M6	HEXAGONAL RIVET M6	8					
26	Z276759000	CUBIERTA MOTOR	MOTOR COVER						
	Q262040000	ARANDELA GROW. A6 A.304	WASHER GROW. A6 A.304	16					
	Q162040000	TUERCA EXAGONAL M6	HEXAGONAL NUT M6	16					
27	Z276751000	LATERAL CUBIERTA	SIDE COVER	2					
28	Z276342000	ANTERIOR CUBIERTA COMPLETA	COMPLETE FRONT COVER	1					
29	Z276755000	REGULADOR SALIDA AIRE	AIR OUTPUT CONTROL	1					
	Q152047000	TORNILLO EXAGON. CON CUELLO	HEXAGONAL BOLT. WITH NECK	2					
	Q232050000	ARANDELA A8	WASHER A8	2					
	Q262030000	ARANDELA GROW. A5 A.304	WASHER GROW. A5 A.304	2					
	Q162030000	TUERCA EXAGONAL M5	HEXAGONAL NUT M5	2					
	Q222011000	REMACHE EXAGONAL M5 (INOX)	HEXAGONAL RIVET M5 (INOX)	2					
30	Z276746000	SALIDA AIRE COMPLETO	COMPLETE AIR OUTPUT	1					
	Q232040000	ARANDELA A6	WASHER A6	4					
	Q162040000	TUERCA EXAGONAL M6	HEXAGONAL NUT M6	4					
	Q262040000	ARANDELA GROW. A6 A.304	WASHER GROW. A6 A.304	12					
	Q012042000	TORN.EXA. M6X15 AISI 304	HEX BOLT M6X15 AISI 304	8					
31	Z276762000	BATERIA COMPLETA	COMPLETE BATTERY	1					
32	Z276734000	REJILLA ASPIRACION VAHOS COM.	COM. STEAM EXTRACT. GRILLE	1					
33	Z271901000	PASAMUROS ACLARADO	RINSE BUSHING	4					
	Q307032000	JUNTA 32X21X3	JOINT 32X21X3	4					
34	Q223031000	TUERCA M.24x2.5	NUT M.24X2.5	2					
	Q223023000	TUERCA EXAGONAL 5-8 LATON	HEX NUT 5-8 BRASS	2					
35	Z276761000	TUBO EMPALME	CONNECTION PIPE	2					
	Q307063000	JUNTA TORICA 12.29X19.35X3.53	O-RING 12.29X19.35X3.53	4					
	Q223108000	TUERCA M.24X2.5	NUT M.24X2.5	4					

MOD. LAVAVAJILLAS COMPACTOS
COMPACT DISHWASHERS

ZONA TUNEL CONDENSADOR DE VAHOS
STEAM CONDENSER TUNNEL

PLANO C-2134
C-2135

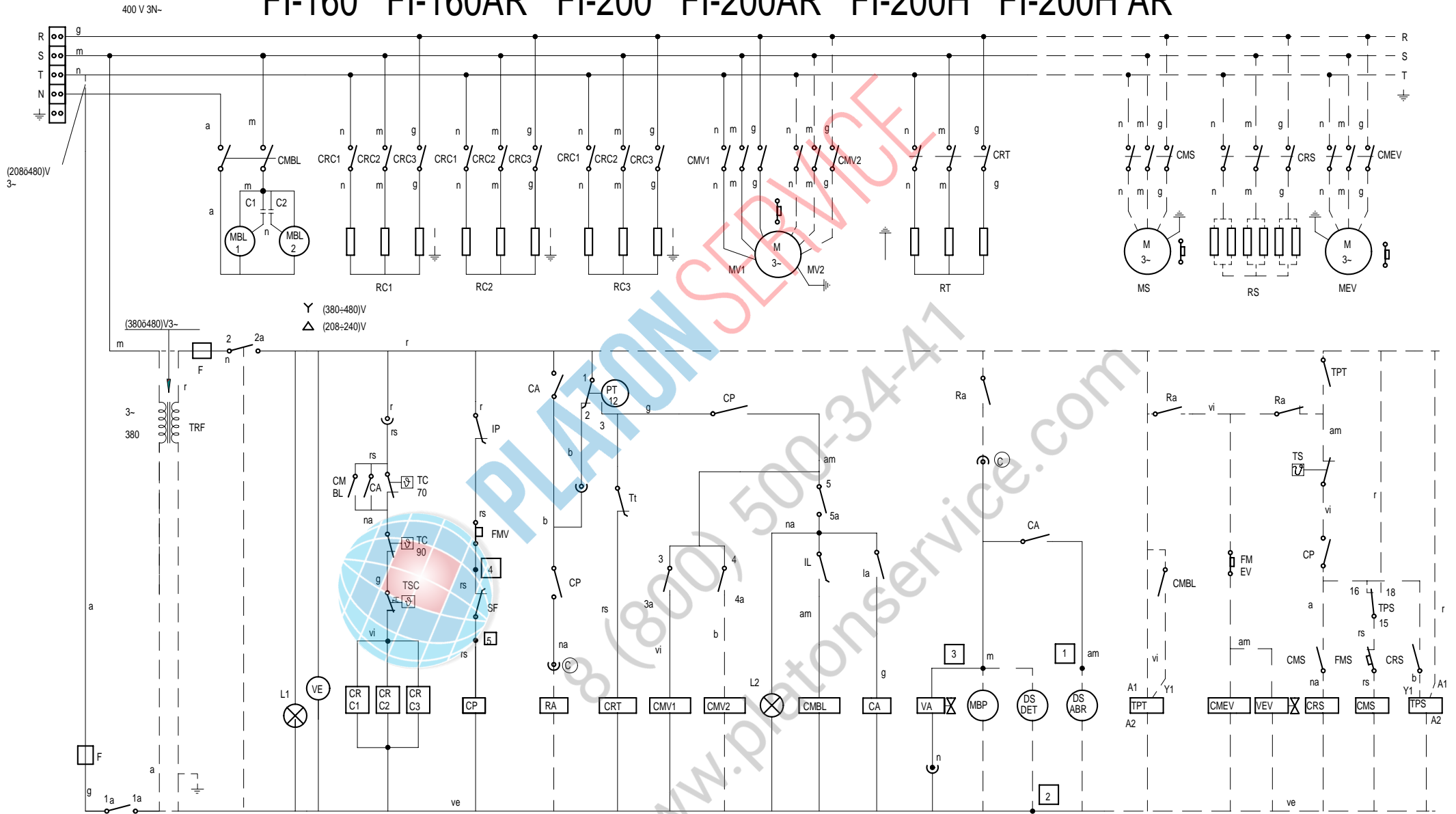
ITEM	CODIGO	DENOMINACION	TEXTO	TUNEL COND. DE VAHOS						NOTAS
36	Z201101000	ESCUADRA AMARRE ELECTROVA	SOLENOID VALVE BRACKET	1						
	Q032021000	TORNILLO ALOMADO M4X10	CURVED SCREW M4X10	2						
	Q232020000	ARANDELA A-4	WASHER A-4	2						
	Q242020000	ARANDELA ABANICO A.4 A304	FAN WASHER A.4 A304	2						
	Q012042000	TORNILLO EXAGONAL M6X15 A304	HEXAGONAL BOLT M6x15 A304	2						
	Q262040000	ARANDELA GROW. A6 A.304	WASHER GROW. A6 A.304	14						
37	Z106811000	ELECTROVALVULA MONTADA	SOLENOID VALVE MOUNTED	1						
38	3676900000	TUBO GOMA NEGRA Ø 17*10	BLACK RUBBER PIPE 17*10	1						
	Q881302000	ABRAZADERA 12-20	CLAMP 12-20	2						
39	3676900000	TUBO GOMA NEGRA Ø 17*10	BLACK RUBBER PIPE 17*10	1						
	Q881302000	ABRAZADERA 12-20	CLAMP 12-20	2						
40	Z600907000	TOMA DE PRESION	PRESSURE CONNECTION	1						
	Z600908000	ARANDELA	WASHER	1						
	Q223013000	TUERCA	NUT	1						
41	Z276772000	CUBIERTA	COVER	1						
	Q152014000	PERNO SOLDADO M5X10	WELDED BOLT M5X10	6						
	Q212031000	TUERCA SOMBRERETE M5	COWL NUT M5	6						
42	Z276732000	TUNEL CONDENSADOR DE VAHOS	COMP STEAM CONDENSOR TUN	1						
S/Nº	Z316702000	CABLEADO CONDENSADOR	CONDENSOR WIRING	1						

MOD.	LAVAVAJILLAS COMPACTOS COMPACT DISHWASHERS	ZONA	PIEZAS ESPEC. PARA LA VERSION SIN NEUTRO SPECIF.PARTS FOR VERSION WITHOUT NEUTRAL	PLANO	
-------------	---	-------------	--	--------------	--

ITEM	CODIGO	DENOMINACION	TEXTO	FI-160	FI-200						NOTAS
	Z273039000	CONDENSADOR 10MF 550V	CONDENSOR 10MF 550V	2	2						
	Z273038000	CABLEADO TRANSF. SIN NEUTRO	TRANSF. WIRING W/O NEUTRAL	1	1						
	P503059000	TRANSFORMADOR 440V.S.N.	TRANSFORMER 440V.S.N.	1	1						

MOD.		LAVAVAJILLAS COMPACTOS COMPACT DISHWASHERS		ZONA	PIEZAS A INTRODUCIR EN LA VERSION 220 V. PARTS A INTRODUCED IN VERSION 220 V.				PLANO	
ITEM	CODIGO	DENOMINACION	TEXTO	FI-160	FI-200	ECO-160	ECO-200			NOTAS
PIEZAS A INTRODUCIR EN LA VERSION 220 V.										
15	Z513081000	SECCIONAD. 4P. 160A SIEMENS	SECTIONAT. 4P.160A SIEMENS	1	1					INTRODUCIDO 04.01.10
15	P683039000	SECCIONADOR 4P.63A SIEMENS	SECTIONATOR 4P.63A SIEMENS			1	1			INTRODUCIDO 01.12.09
	Z513083000	BORNE DISTRIBUIDOR 70 MM2	DISTRIBUI. 70 MM2 TERMINAL	1	1					INTRODUCIDO 01.12.09
	Z273083000	BORNE DISTRIBUIDOR 35 MM2	DISTRIBUI. 35 MM2 TERMINAL			3	3			INTRODUCIDO 01.12.09
	Z273086000	CABLEADO SECCIONADOR 160A	SECTIONATOR 160A WIRING	1	1					INTRODUCIDO 04.01.10
	Z273084000	CABLEADO SECCIONADOR 63A	SECTIONATOR 63A WIRING			1	1			INTRODUCIDO 01.12.09

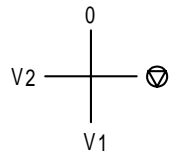
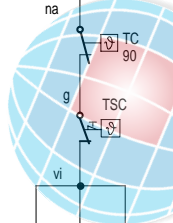
FI-160 FI-160AR FI-200 FI-200AR FI-200H FI-200H AR



(208/480)V
3~

400 V 3N-

(380/480)V3~
Y (380=480)V
Δ (208=240)V

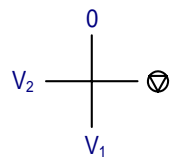
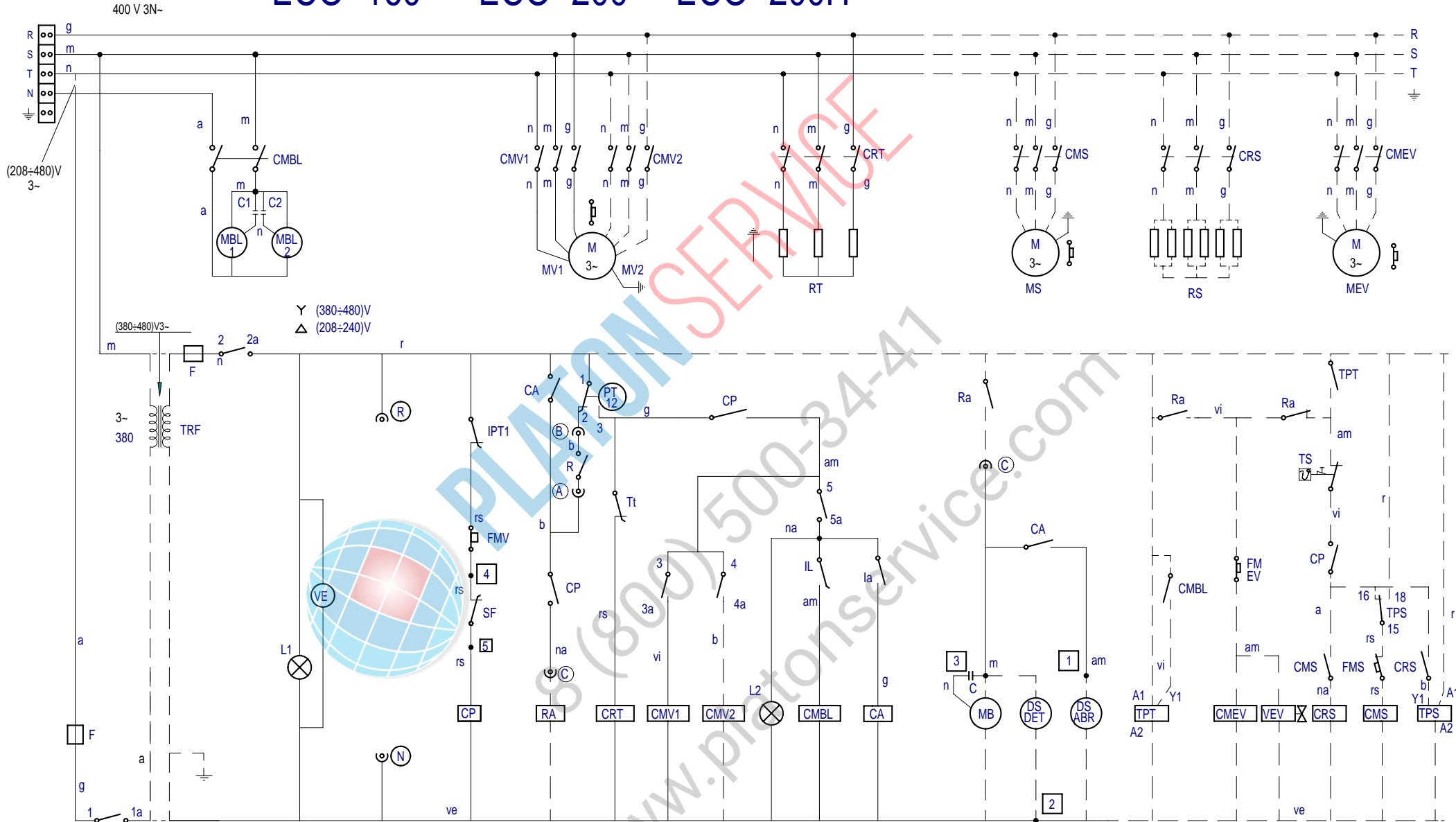


IG	1 1a	2 2a	3 3a	4 4a	5 5a
0					
	X	X			
V1	X	X	X		X
V2	X	X		X	X

Z273018000

HC-17294 - 5

ECO -160 ECO -200 ECO -200H

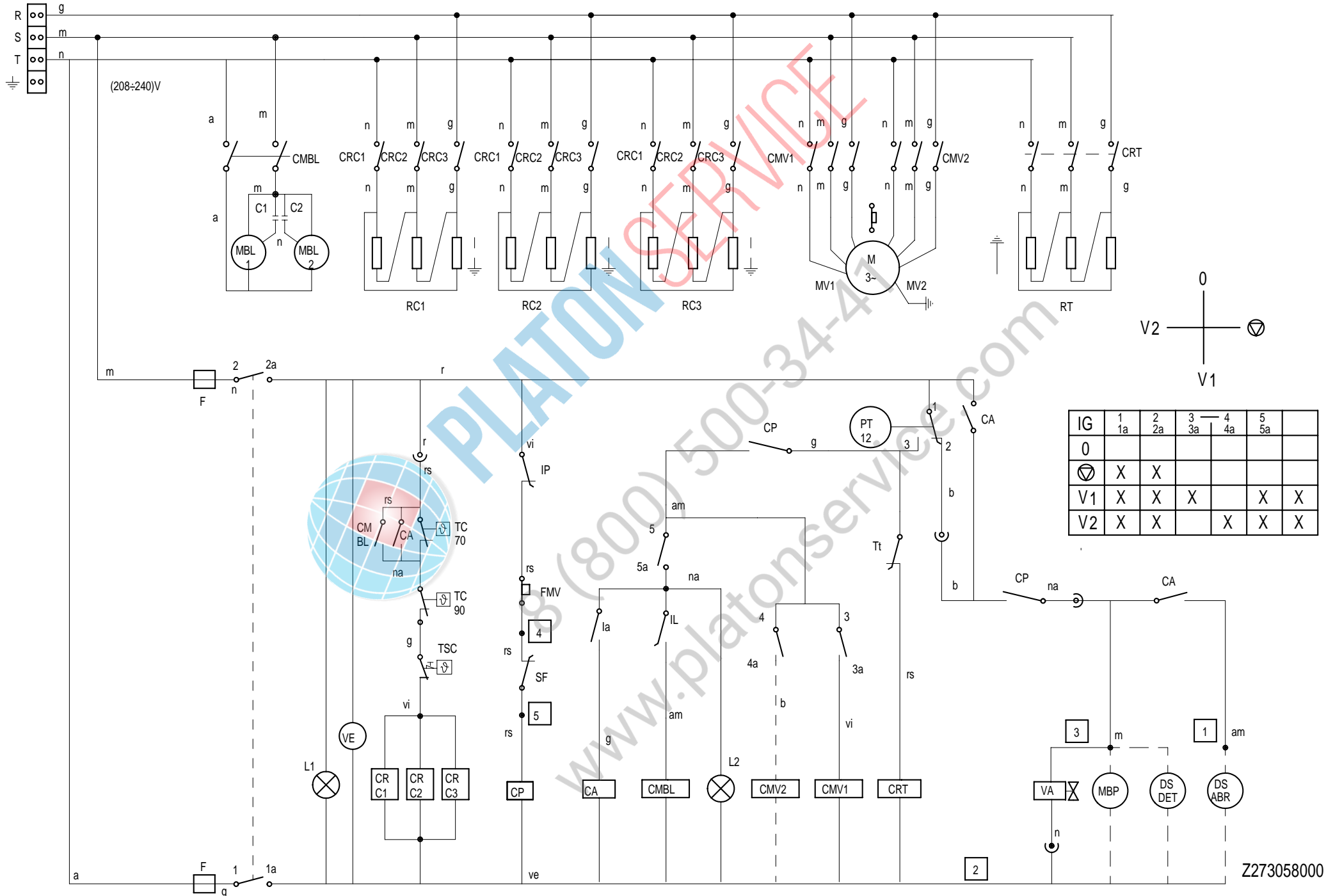


IG	1 1a	2 2a	3 3a	4 4a	5 5a
0					
	X	X			
V ₁	X	X	X		X X
V ₂	X	X		X	X X

Z-283020

HC-17304-2

FI-200 W



Z273058000

HC-17756 - 2

ESPAÑOL

ⒶⒷ = Puntos de conexión con R
 Ⓒ = Puntos de conexión 160/200 sin secado ni condensador
 C.1, C2 = Condensador
 CA = Relé auxiliar aclarado
 CMBL 1/2/3 = Contactor bomba lavado 1/2/3
 CMBPL = Contactor bomba prelavado
 CMEV = Contactor motor extractor
 CMS = Contactor motor secado
 CMV 1/2 = Contactor avance 1/2
 CMREC = Contactor motor recuperador
 CRC 11/12/13/21/22 = Contactor calentamiento calderín
 CRS = Contactor resistencia secado
 CRTA = Contactor calentamiento aclarado
 CRT2 = Contactor calentamiento tanque 2
 CRT11/12 = Contactor calentamiento tanque 1
 CP = Relé puerta
 DS.ABR = Dosificador abrillantador
 DS.DET = Dosificador detergente
 F = Fusible
 FMEV = Relé térmico motor extractor
 FML1/2/3 = S. Térmico bomba lavado 1/2/3
 FMS = Relé térmico motor secado
 FMREC = Relé térmico motor recuperador
 FMV = S. Térmico motor avance
 Ia = Micro aclarado
 IG = Interruptor general
 IL = Micro lavado
 Im1/2/3 = Pulsador de marcha
 IPA = Micro puerta aclarado
 IP1/2/3 = Pulsador de parada
 IPPL = Micro puerta prelavado
 IPT1/2/3 = Micro puerta tanque 1/2/3
 L1 = Piloto de encendido
 L2 = Piloto marcha
 MB = Bomba de llenado y aclarado
 MBA = Bomba aclarado
 MBL1/2/3 = Bomba lavado 1/2/3
 MBP = Bomba de presión
 MBPL = Bomba prelavado
 MEV = Motor extractor vahos
 MREC = Motor recuperador
 MS = Motor secado
 MV = Motor avance
 Pa = Presostato aclarado
 PE1/2 = Parada de emergencia
 PPL = Presostato prelavado
 PT11 = Presostato lavado 1 calentamiento
 PT12 = Presostato lavado 1 llenado
 PT21 = Presostato lavado 2 calentamiento
 PT2/PT22 = Presostato lavado 2 llenado
 PT3 = Presostato lavado 3 llenado
 R = Relé de Generador A.C.
 ⒶⒷⒸ = Toma de alimentación Generador A.C.
 Ra = Relé auxiliar aclarado y llenado
 RC11/12/13/21/22 = Resistencia calderín
 RS = Resistencia secado
 RTA = Resistencia calentamiento aclarado
 RT2 = Resistencia tanque 2
 RT11/12 = Resistencia tanque 1
 SF = Micro fin recorrido
 TA = Termostato aclarado
 TC.1/2 = Termostato calderín
 TPA = Temporizador Aclarado
 TPT = Temporizador inicio
 TPS = Temporizador secado
 TREC = Termostato recuperador
 TRF = Transformador
 TS = Termostato secado
 TSC.1/2 = Limitador calderín
 Tt1/2 = Termostato tanque 1/2
 VA = Electrovalvula llenado y aclarado
 VE = Ventilador cuadro eléctrico
 VEV = Electrovalvula condensación vahos
 VL1/2 = Electrovalvula llenado tanque
 VG = Electrovalvula general
 VREC = Electrovalvula salida

COLOR COLORES

a = Azul
 am = Amarillo
 am/v = Amarillo/verde
 b = Blanco
 g = Gris
 m = Marrón
 n = Negro
 na = Naranja
 r = Rojo
 rs = Rosa
 ve = Verde
 vi = Violeta

FRANÇAIS

Points de connexion R
 Points de connexion 160/200 sans sechage ni condensateur
 Condensateur
 Relais auxiliaire rinçage
 Contacteur pompe lavage 1/2/3
 Contacteur pompe prelavage
 Contacteur moteur extracteur
 Contacteur moteur sechage
 Contacteur avance 1/2
 Contacteur moteur recuperateur
 Contacteur chauff. surchauffeur
 Contacteur resistances sechage
 Contacteur chauffage rinçage
 Contacteur chauffage cuve 2
 Contacteur chauffage cuve 1
 Relais porte
 Doseur de tensioactif
 Doseur de detergent
 Fusible
 Relais thermique moteur extracteur
 S. Thermique pompe lavage 1/2/3
 Relais thermique moteur sechage
 Relais thermique moteur recuperateur
 S. Thermica moteur avance
 Micro rinçage
 Interrupteur general
 Micro lavage
 Bouton marche
 Micro porte rinçage
 Bouton arrêt
 Micro porte prelavage
 Micro porte cuve 1/2/3
 Voyant fonctionnement
 Voyant demarrage
 Pompe remplissage rinçage
 Pompe rinçage
 Pompe lavage 1/2/3
 Pompe de pression
 Pompe prelavage
 Moteur extracteur vapeur
 Moteur recuperateur
 Moteur sechage
 Moteur avance
 Pressostat rinçage
 Arrêt d'urgence
 Pressostat prelavage
 Pressostat lavage 1 chauffage
 Pressostat lavage 1 remplissage
 Pressostat lavage 2 chauffage
 Pressostat lavage 2 remplissage
 Pressostat lavage 3 remplissage
 Relais du Générateur
 Alimentation generateur
 Relais auxiliaire rinçage remplissage
 Resistance surchauffeur
 Resistance sechage
 Resistance chauffage rinçage
 Resistance cuve 2
 Resistance cuve 1
 Micro fin de course
 Thermostat de rinçage
 Thermostat surchauffeur
 Temporisateur rinçage
 Temporisateur demarrage
 Temporisateur sechage
 Thermostate recuperateur
 Transformateur
 Thermostat sechage
 Thermostat limiteur surchauffeur
 Thermostat cuve 1/2
 Electrovanne remplissage rinçage
 Ventilateur tableau électrique
 Electrovanne condenseur vapeur
 Electrovanne remplissage cuve
 Electrovanne general
 Electrovanne demarrage

COULEURS

Bleu
 Jaune
 Jaune / vert
 Blanc
 Gris
 Marron
 Noir
 Orange
 Rouge
 Rose
 Vert
 Violet

ENGLISH

Connection point with R
 Connection points 160/200 without drying nor condenser
 Condenser
 Rinse auxiliary relay
 Wash pump contactor 1/2/3
 Pre-Wash pump contactor
 Exhaust motor contactor
 Drying motor contactor
 Advance contactor 1/2
 Motor recover contactor
 Boiler heating contactor
 Drying heating element contactor
 Rinse heating contactor
 Tank heating contactor 2
 Tank heating contactor 1
 Door relay
 Rinse doser
 Detergent doser
 Fuse
 Thermic switch exhaust motor relay
 Thermic switch pump 1/2/3
 Drying motor thermic relay
 Thermic switch recover motor
 Thermic switch rack pulling motor
 Rinse microswitch
 Main switch
 Wash microswitch
 On pushbutton
 Rinse door microswitch
 Off pushbutton
 Pre-wash door microswitch
 Tank door microswitch 1/2/3
 Operation light
 Start light
 Fill and rinse pump
 Rinse pump
 Wash pump 1/2/3
 Pressure pump
 Pre-wash pump
 Exhaust steam motor
 Recover motor
 Drying motor
 Motor advance
 Rinse level switch
 Emergency stop
 Pre-wash level switch
 Wash level 1 and heating switch
 Wash level 1 and fill switch
 Wash level 2 and heating switch
 Wash level 2 and fill switch
 Wash 3 fill pressostat
 Generator relay
 Water heater feeding
 Rinse and fill auxiliary relay
 Boiler heating element
 Drying heating element
 Rinse heating heater
 Tank heater 2
 Tank heater 1
 Safety end switch
 Rinse thermostat
 Boiler thermostat
 Rinsing timer
 Start timer
 Drying timer
 Recover thermostat
 Trasformer
 Drying thermostat
 Boiler Hi-limit thermostat
 Tank thermostat 1/2
 Fill and rinse valve
 Switchboard fan
 Exhaust condenser solenoid valve
 Tank fill valve
 Main valve
 Outlet solenoid valve

COLOUR

Blue
 Yellow
 Yellow / green
 White
 Grey
 Brown
 Black
 Orange
 Red
 Pink
 Green
 Purple

DEUTSCH

Anschlusspunkte mit R
 Anschlusspunkte 160/200 weder ohne Trocknung noch Kondensator
 Kondensator
 Hillsrelais Spülen
 Kontaktschütz Waschpumpe 1/2/3
 Kontaktschütz Vorwaschpumpe
 Kontaktschütz Abzugsmotor
 Kontaktschütz Trocknungsmotor
 Kontaktschütz Vorlauf 1/2
 Kontaktschütz Rekuperatormotor
 Kontaktschütz Boilerheizung
 Kontaktschütz Trocknungsheizwiderstand
 Kontaktschütz Spülheizung
 Kontaktschütz Heizung Tank 2
 Kontaktschütz Heizung Tank 1
 Türrelais
 Dosierer Glanzmittel
 Dosierer Spülmittel
 Sicherung
 Thermorelais Abzugsmotor
 Thermoschalter Waschpumpe 1/2/3
 Thermorelais Trocknungsmotor
 Thermorelais Rekuperatormotor
 Thermoschalter Vorlaufmotor
 Mikroschalter Spülen
 Hauptschalter
 Mikroschalter Waschen
 Betriebstaster
 Mikroschalter Tür Spülen
 Aus-Taster
 Mikroschalter Tür Vorwaschen
 Mikroschalter Tür Tank 1/2/3
 Betriebsanzeigelampe
 Startanzeigelampe
 Füll- und Spülpumpe
 Spülpumpe
 Waschpumpe 1/2/3
 Druckpumpe
 Vorwaschpumpe
 Motor Dampfabzug
 Rekuperatormotor
 Trocknungsmotor
 Vorlaufmotor
 Druckregler Spülen
 Not-Aus
 Druckregler Vorwaschen
 Druckregler Waschstufe 1 Heizen
 Druckregler Waschstufe 1 Füllen
 Druckregler Waschstufe 2 Heizen
 Druckregler Waschstufe 2 Füllen
 Druckwächter Spülgang 3 Füllvorgang
 Relais Generator
 Stromversorgungsanschluss Generator
 Hillsrelais Spülen und Füllen
 Boilerheizwiderstand
 Heizwiderstand Trocknen
 Heizwiderstand Spülen
 Heizwiderstand Tank 2
 Heizwiderstand Tank 1
 Mikroschalter Zyklusende
 Thermostat zum Spülen
 Thermostat kessel
 Zeitschaltuhr Spülgang
 Start-Timer
 Trocknungs-Timer
 Rekuperator-Timer
 Transformator
 Trocknungsthermostat
 Grenzthermostat Boiler
 Thermostat Tank 1/2
 Elektroventil Füllen und Spülen
 Schalttafelventilator
 Elektroventil Dampf-kondensation
 Elektroventil Tankfüllung
 Hauptelektroventil
 Ausgangelektroventil

FARBEN

Blau
 Gelb
 Gelbgrün
 Weiß
 Grau
 Braun
 Schwarz
 Orange
 Rot
 Rosa
 Grün
 Violett

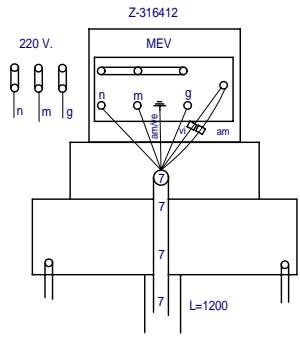
ITALIANO

Punti di collegamento con R
 Punti di collegamento 160/200 senza asciugatura né condensatore
 Condensatore
 Relé ausiliario risciacquo
 Contattore pompa lavaggio 1/2/3
 Contattore pompa prelavaggio
 Contattore motore estrattore
 Contattore motore asciugatura
 Contattore avanzamento 1/2
 Contattore motore recuperatore
 Contattore riscaldamento boiler
 Contattore resistenza asciugatura
 Contattore riscaldamento risciacquo
 Contattore riscaldamento serbatoio 2
 Contattore riscaldamento serbatoio 1
 Relé porta
 Dosatore brillantante
 Dosatore detersivo
 Fusibile
 Relé termico motore estrattore
 Relé termico pompa lavaggio 1/2/3
 Relé termico motore asciugatura
 Contattore motore recuperatore
 Relé termico motore avanzamento
 Microinterruttore risciacquo
 Interruttore generale
 Microinterruttore lavaggio
 Bottone di avvio
 Microinterruttore porta risciacquo
 Bottone di arresto
 Microinterruttore porta prelavaggio
 Microinterruttore porta serbatoio 1/2/3
 Spia accensione
 Spia avvio
 Pompa di riempimento e risciacquo
 Pompa risciacquo
 Pompa lavaggio 1/2/3
 Pompa a pressione
 Pompa prelavaggio
 Motore estrazione vapore
 Motore recuperatore
 Motore asciugatura
 Motore avanzamento
 Pressostato risciacquo
 Arresto di emergenza
 Pressostato prelavaggio
 Pressostato lavaggio 1 riscaldamento
 Pressostato lavaggio 1 riempimento
 Pressostato lavaggio 2 riscaldamento
 Pressostato lavaggio 2 riempimento
 Pressostato lavaggio 3 riempimento
 Relé Generator
 Alimentazione generatore
 Relé ausiliario risciacquo e riempimento
 Resistenza boiler
 Resistenza asciugatura
 Resistenza riscaldamento risciacquo
 Resistenza serbatoio 2
 Resistenza serbatoio 1
 Microinterruttore finecorsa
 Termostato risciacquo
 Termostato boiler
 Timer risciacquo
 Timer avvio
 Timer asciugatura
 Termostato recuperatore
 Trasformatore
 Termostato asciugatura
 Termostato limitatore boiler
 Termostato serbatoio 1/2
 Electrovalvula riempimento e risciacquo
 Ventilatore quadro elettrico
 Electrovalvula condensazione vapore
 Electrovalvula riempimento serbatoio
 Electrovalvula generale
 Electrovalvula uscita

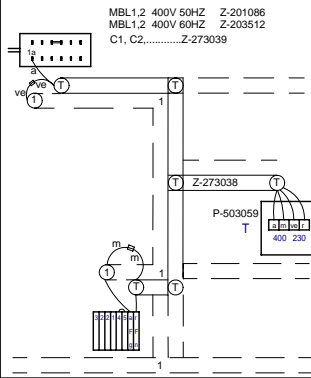
COLORE

Blu
 Giallo
 Giallo/verde
 Bianco
 Grigio
 Marrone
 Nero
 Arancio
 Rosso
 Roseo
 Verde
 Viola

CONDENS.

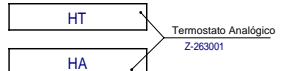


380-480 V 3- SIN NEUTRO

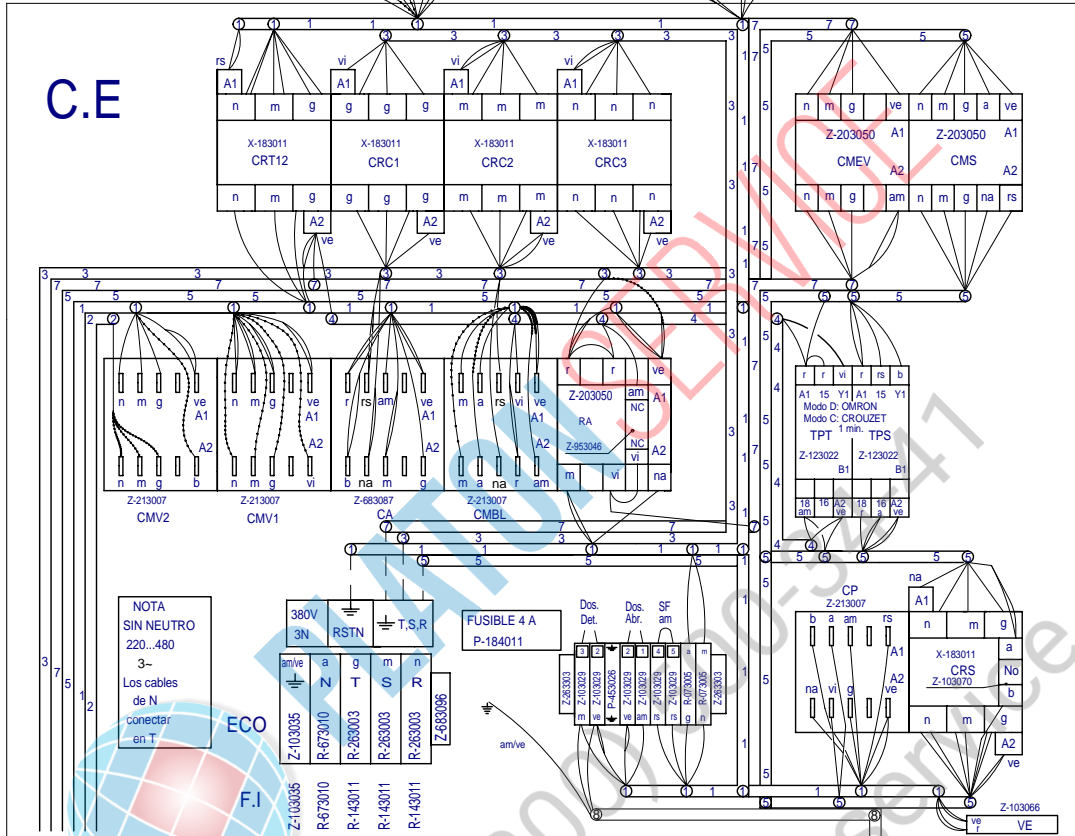


Prensastopas R-143010
Junta goma R-143026
Tuerca R-143025

PORTAMANDOS



C.E

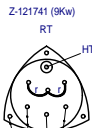
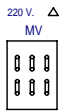
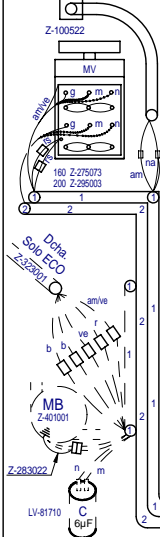


NOTA
SIN NEUTRO
220...480
3-
Los cables
de N
conectar
en T

ECO

F.I.

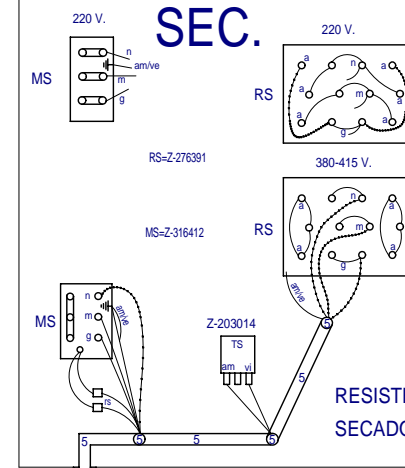
Dcha. IA
Izda. IL



FI-160, FI-200 TI = 60°C
FI-200 W TI = 90°C

RT, RC Δ 220 V.

Z-121741 (3x9Kw) FI-160/200
Z-129502 (3x12Kw) FI-200/200 H

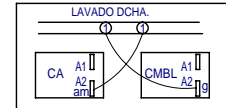


RESISTENC.
SECADO

* VERSION 160
(Cable b (CMV2) unir con cable vi (CMV1), se elimina CMV2)

* VERSION SIN SECADO NI CONDENSADOR
Se elimina RA, cable na (RA) unir con cable m (RA) con regleta R-693010

No Imprimir
para la linea
de montaje,
imprimir
hoja 2 y 3



Nº	REFERENCIA	UL		Instalación ECO
		160	200 W	
1	Z-273030	X	X	Mod 200 (VII)
2	Z-273032	X	X	Calderín Eléctrico (Solo FI)
3	Z-273031	X	X	Secado, Rec. Cond. Extr. (Auxiliar)
4	Z-316382	X	X	Secado
5	Z-316381	X	X	Condensador, Extrac.
7	Z-316702	X	X	

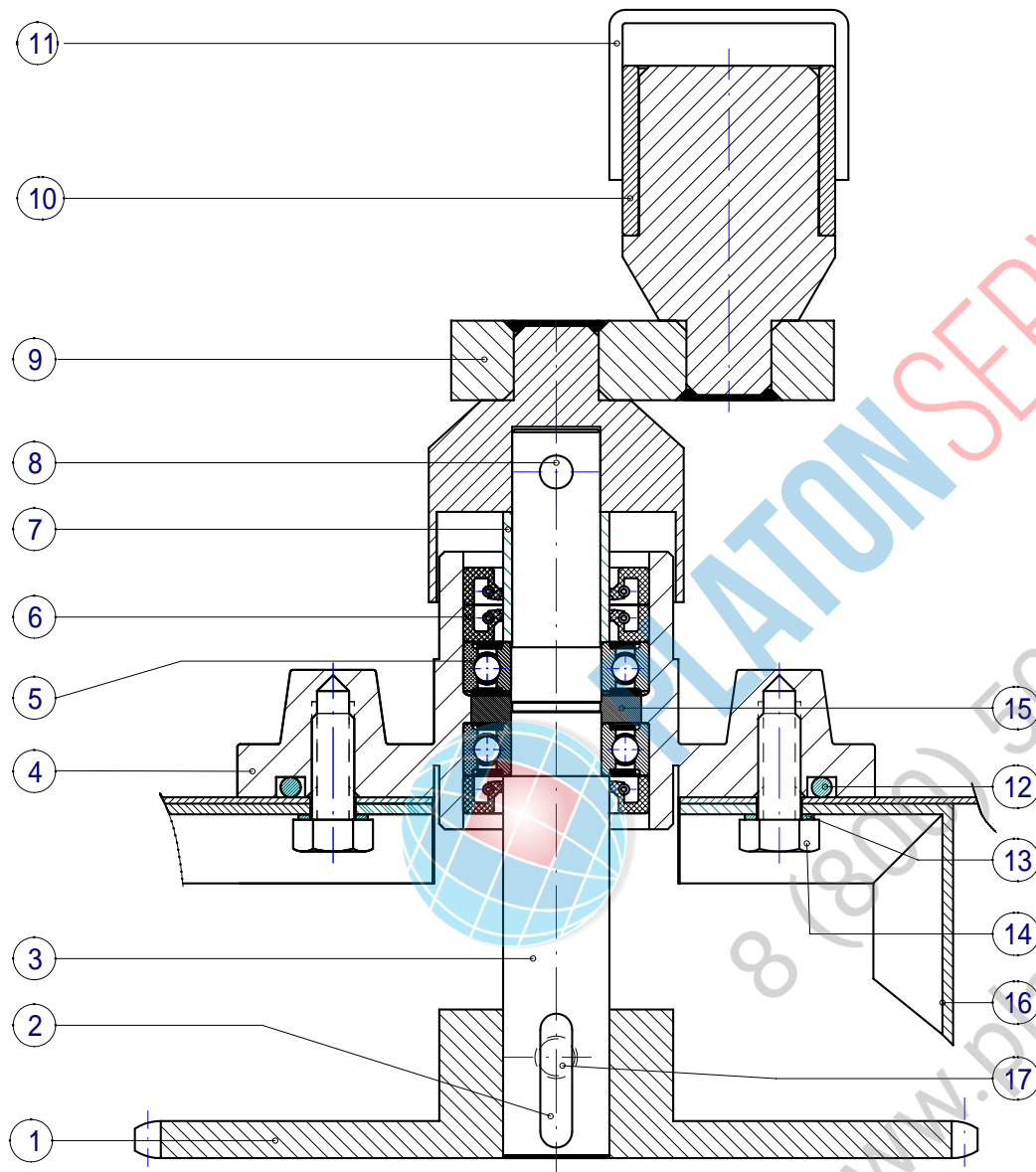
ESQUEMAS ELECTRICOS	
FI 200 W	Z-273058
FI 160	Z-273018
FI 200	Z-313070
ECO 160	Z-283020
ECO 200	

Indicador de Componentes Z-313068

Esquema montaje arrastre COMPACTO 380V.			Z-273034	
Nº	Pieza	Nº Clasificación	Fecha	Acabado
1	Modificación general	Maillo	4-2-2002	Tolerancias generales
2	Sustituir contact. R-663031 por Z-203050 y Z-316328 por Z-953046	J.M.P.	3-12-2002	≤±1
3	Introducir TC 70 y conexión en CMBL y CA	J.Maillo	29-04-2005	5-25±
4	En laversion FI-200W TI ajustar a 90°C	M.Maillo	1-12-2005	25-50±
5	Eliminar PT11 y puentear cables rojo y rosa	M.Maillo	03-03-2009	X±


Dibujado	Firma	Fecha	 Fagor Industrial, Koop, Eik, Mugutua	Mecanizado superficial
Proyectado	S.N.	6-3-01		
Comprobado				
Escala				

LAVAVAJILLAS		Plano numero HD-16280 - 5
		Sustituye al Nº
		Sustituido por



17	Varilla roscada	1	Hierro	Z-105051		HB-16546
16	Refuerzo soporte	1	AISI 304	Z-270335		HC-16709
15	Grasa KRAFFT	1	Molykote-Longterm W-2	Ref.:41502		
14	Tornillo exagonal M.8x20	4	AISI 304	Q-012053		DIN 933
13	Arandela muelle A.8	4	AISI 304	Q-262050		DIN 127
12	Junta tórica Ø105.28xØ94.62xØ5.33	1	E.P.D.M.	Q-307045	Color: Negro	
11	U motriz	1	AISI 304	Z-275053		HC-16750
10	Casquillo	1	Bronce 555	Z-105027		HB-16421
9	Placa unión completa	1		Z-275022		HB-17129
8	Pasador cónico	1	AISI 304	Z-105026		HB-16550
7	Casquillo distanciador	1	AISI 304	Z-105055		HB-16620
6	Reten radial 20x35x7	3		Z-105016		HB-16555
5	Rodamiento 6003-2RS	2	Inoxidable	Z-105017		HB-16557
4	Soporte rodamientos	1	Latón	Z-275021	Cromado	HC-16683
3	Eje	1	AISI 304	Z-275011		HB-17082
2	Chaveta eje	1	Acero St 60	Z-105014		HB-16426
1	Pi-on	1	Acero FE-50			
	Montaje rodamientos arrastre compacto			Z-275080		

Nº	Pieza	Cant.	Material	Nº Clasificación	Acabado	
Nº	Modificación		Propuesta de	Fecha	Tolerancias generales	
					<5±	50-100± :
					5-25± :	> 100± :
					25-50± :	∞±

Dibujado	Firma	Fecha	 Fagor Industrial, Koop, Elk, Mugatua	Mecanizado superficial
Proyectado	Iria	2000-3-17		
Comprobado				
Escala	1:1			Plano numero HC-17217
Plano hau ez daiteke erabili ez berritza gure baimenitz gabe				Sustituye al N° Sustituido por